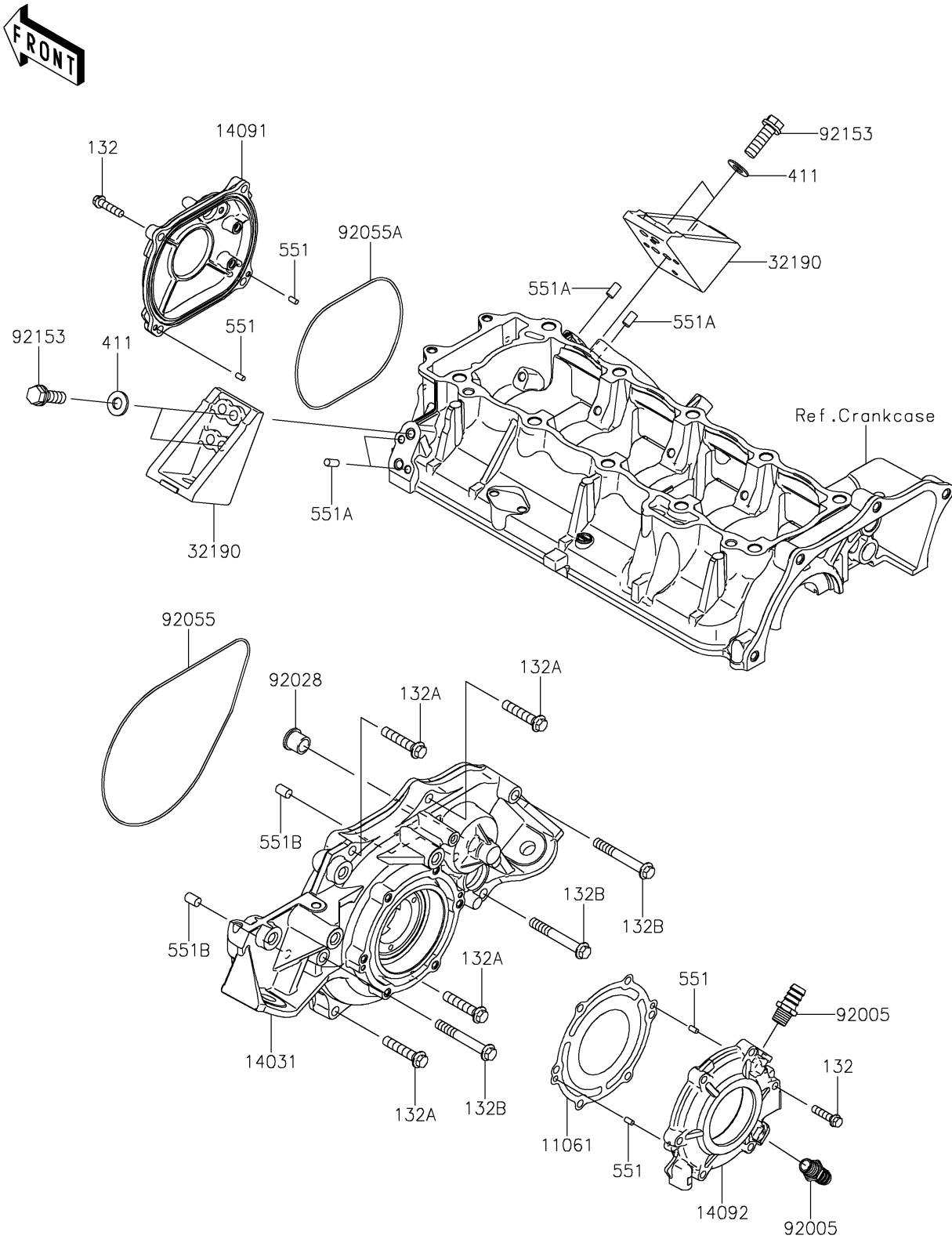


# 2023 JET SKI® ULTRA® 310LX-S

## PARTS DIAGRAM

### Engine Cover(s)

E1431



# 2023 JET SKI® ULTRA® 310LX-S

## PARTS LIST

Engine Cover(s)

**ITEM NAME**

**PART NUMBER**

**QUANTITY**

---