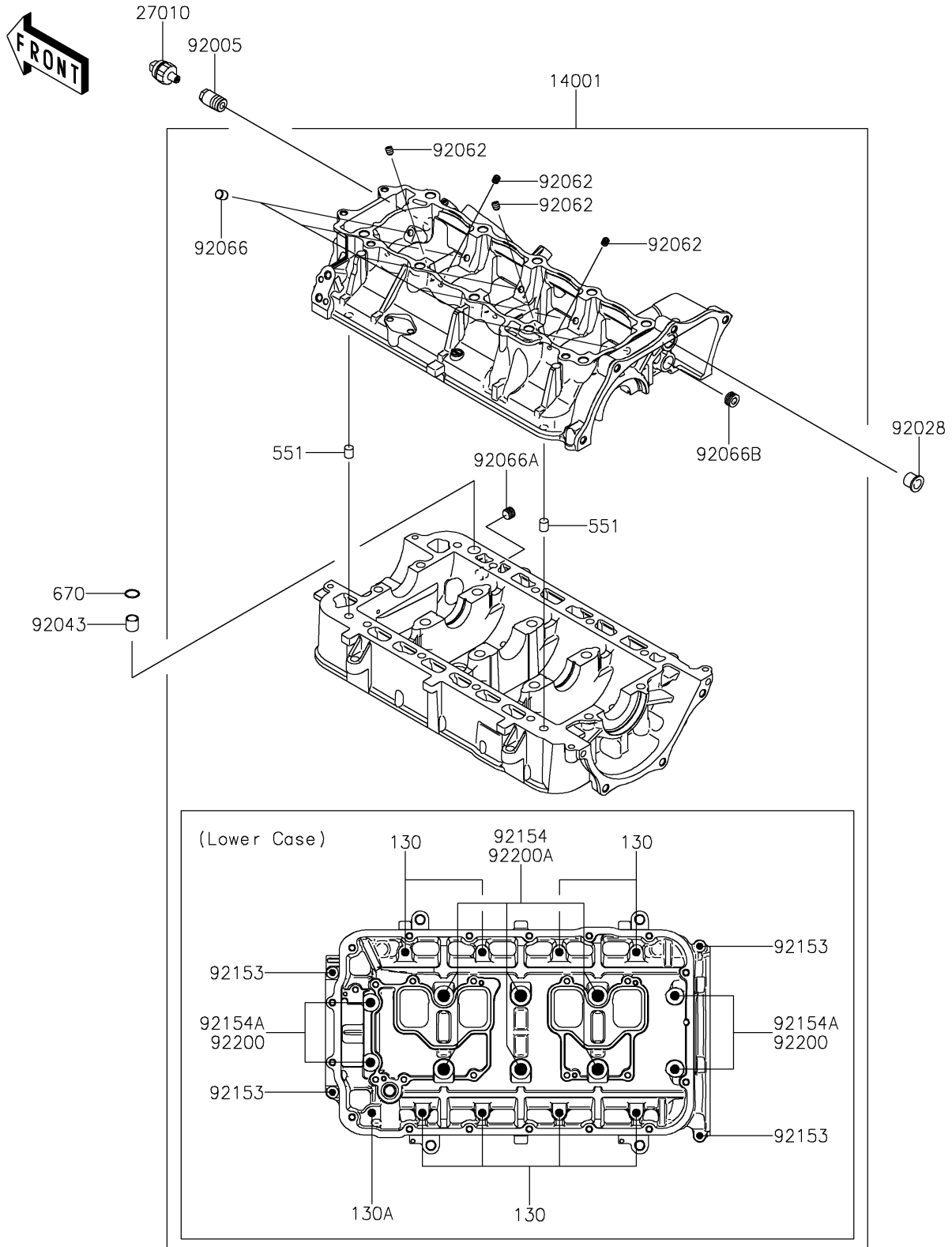


# 2022 JET SKI® ULTRA® 310LX-S

## PARTS DIAGRAM

### Crankcase

E1411



# 2022 JET SKI® ULTRA® 310LX-S

## PARTS LIST

### Crankcase

ITEM NAME	PART NUMBER	QUANTITY
-----------	-------------	----------

---