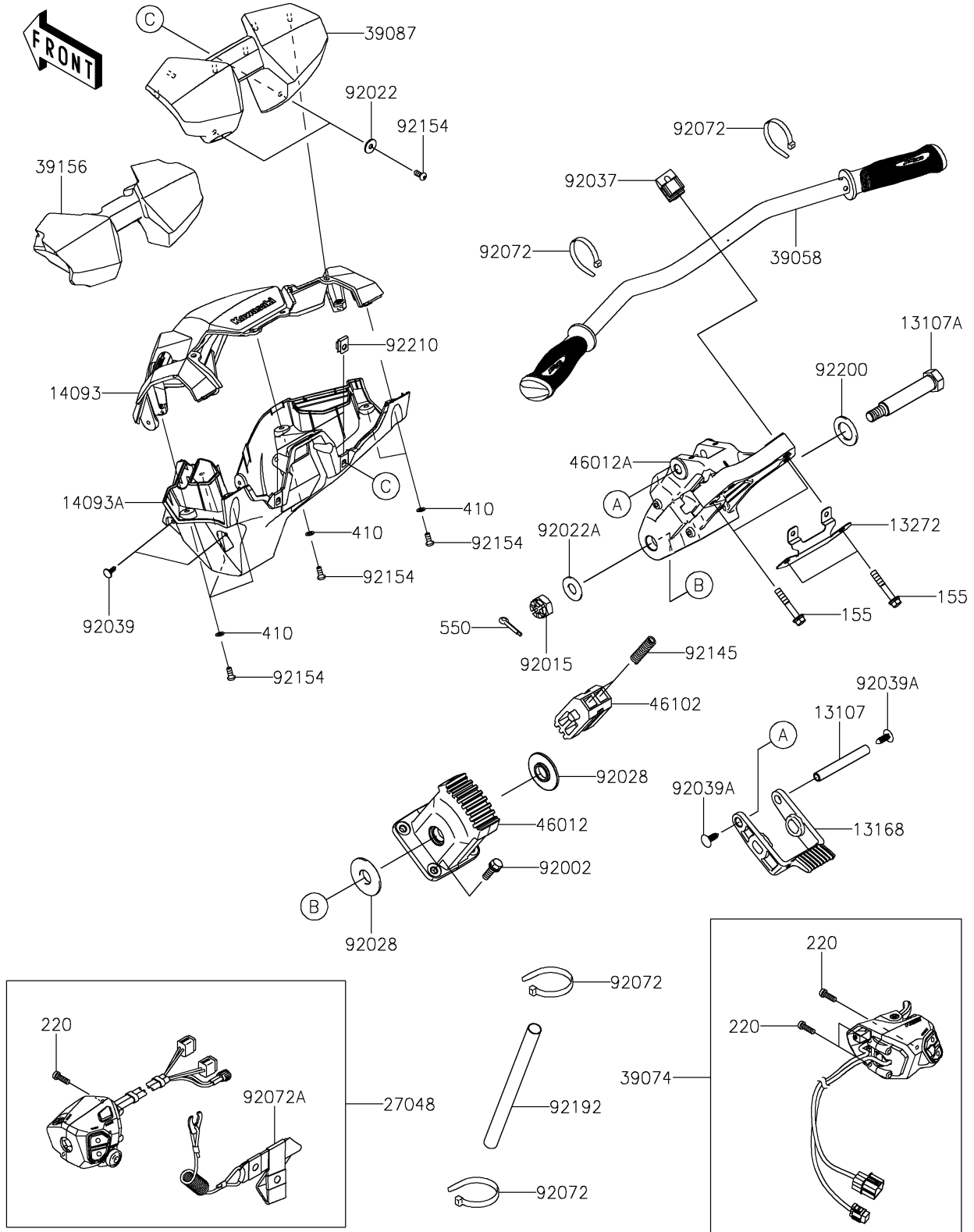


# 2022 JET SKI® ULTRA® 310LX

## PARTS DIAGRAM

### Handlebar

F3172



# 2022 JET SKI® ULTRA® 310LX

## PARTS LIST

### Handlebar



**ITEM NAME**

**PART NUMBER**

**QUANTITY**

---