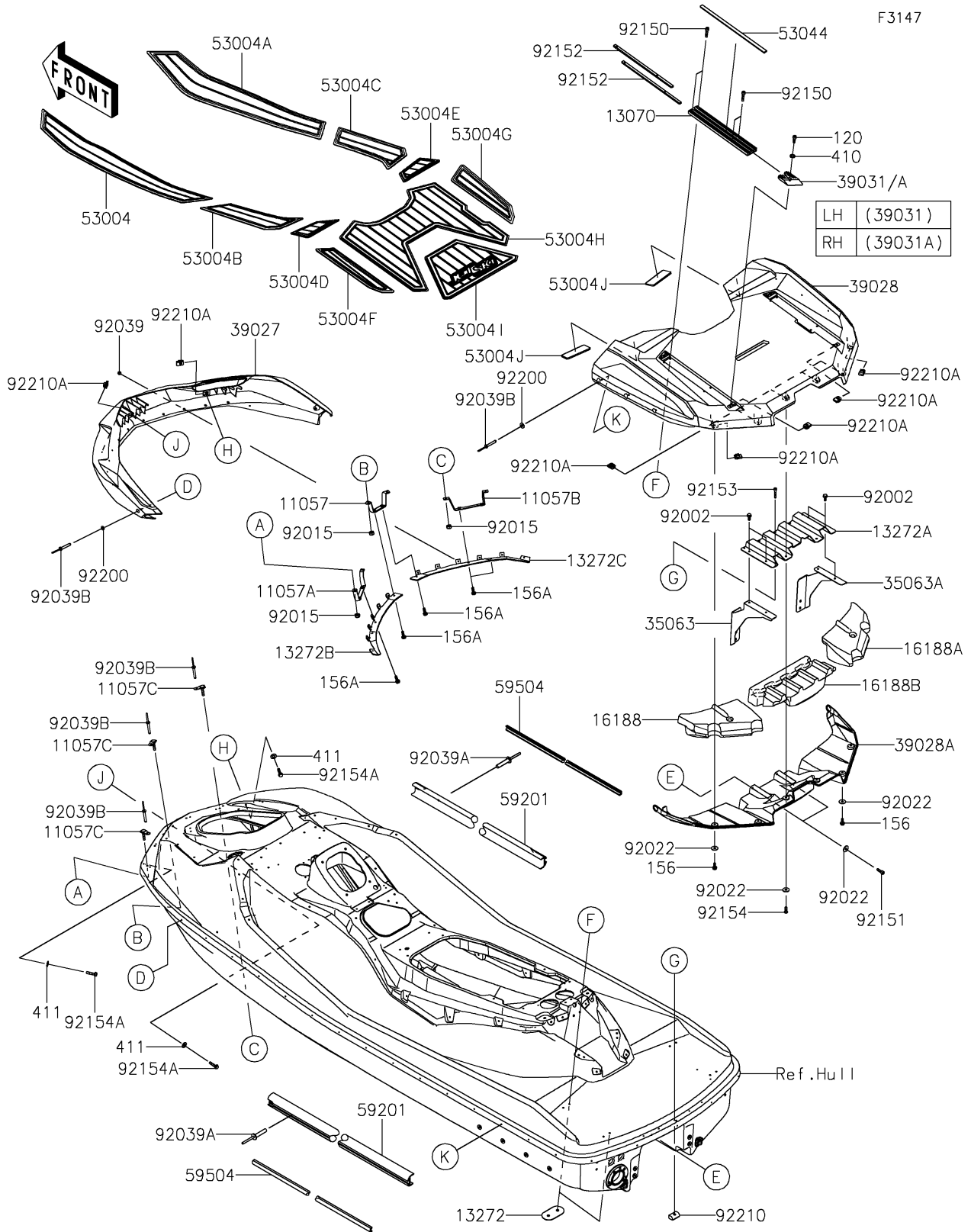


2022 JET SKI® ULTRA® 310LX

PARTS DIAGRAM

Pads



2022 JET SKI® ULTRA® 310LX

PARTS LIST

Pads



ITEM NAME

PART NUMBER

QUANTITY
