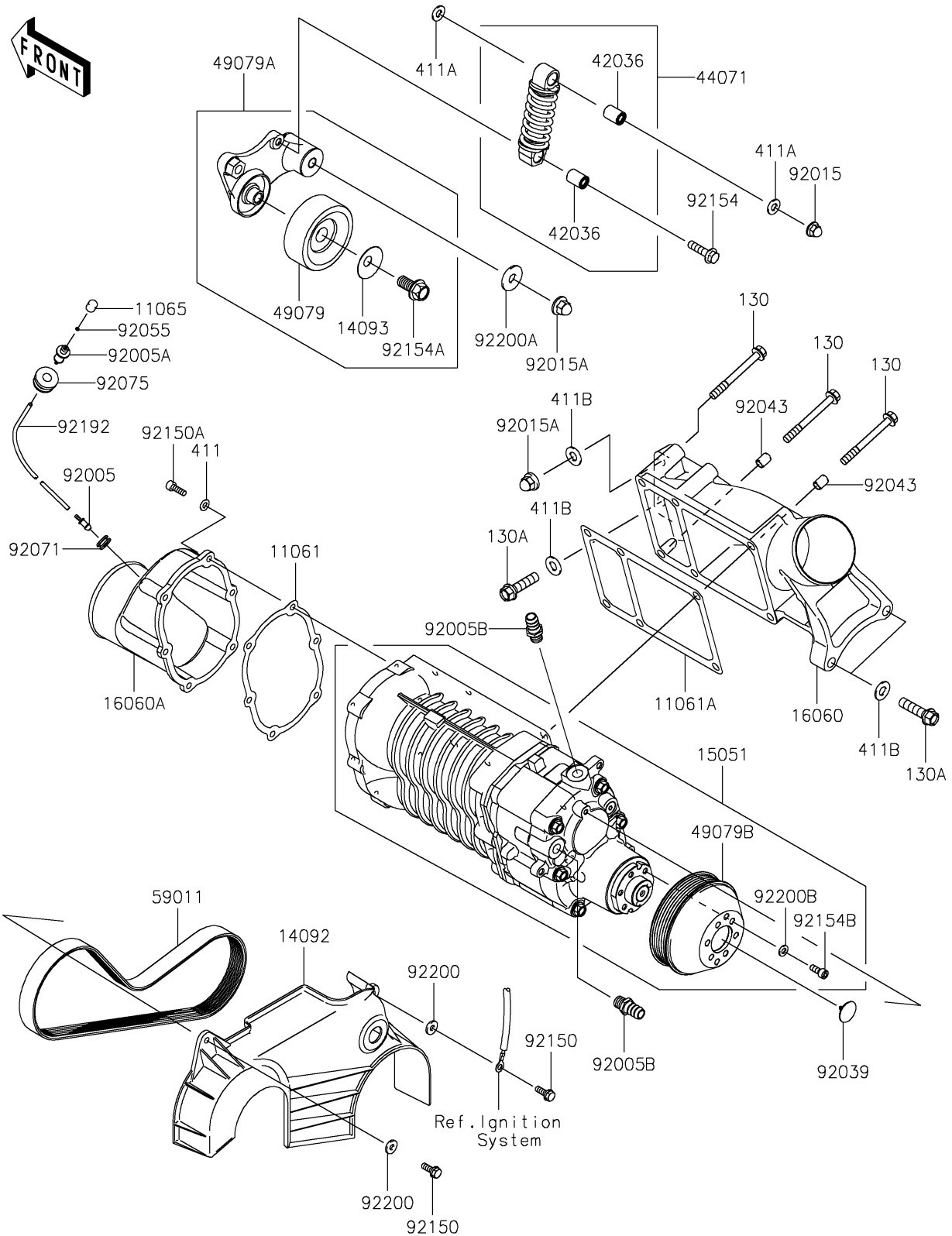


# 2022 JET SKI® ULTRA® 310LX

## PARTS DIAGRAM

### Super Charger

E1460



# 2022 JET SKI® ULTRA® 310LX

## PARTS LIST

Super Charger



**ITEM NAME**

**PART NUMBER**

**QUANTITY**

---