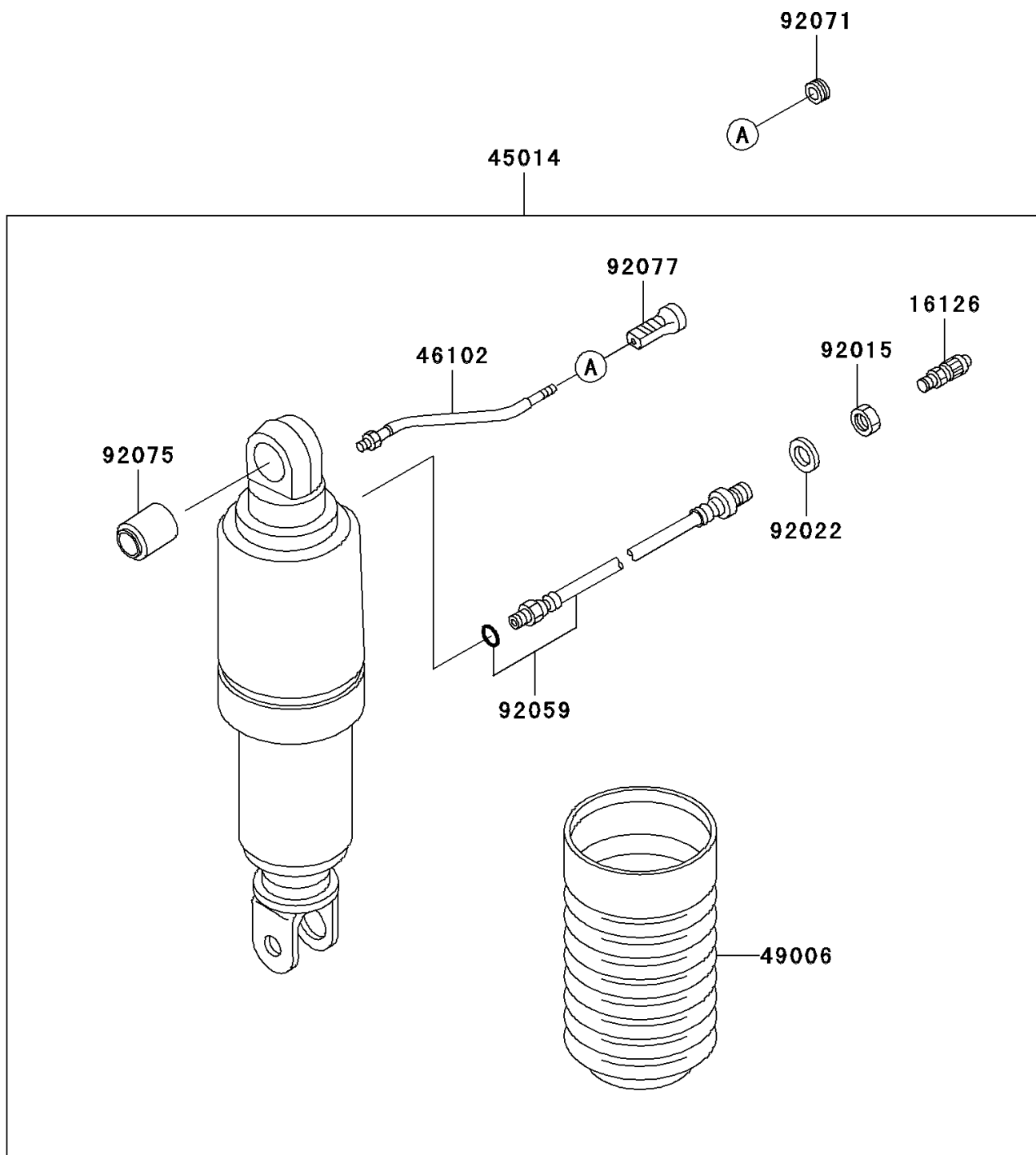


2005 Concours

PARTS DIAGRAM

Shock Absorber(s)

F2280



2005 Concours

PARTS LIST

Shock Absorber(s)

ITEM NAME

PART NUMBER

QUANTITY
