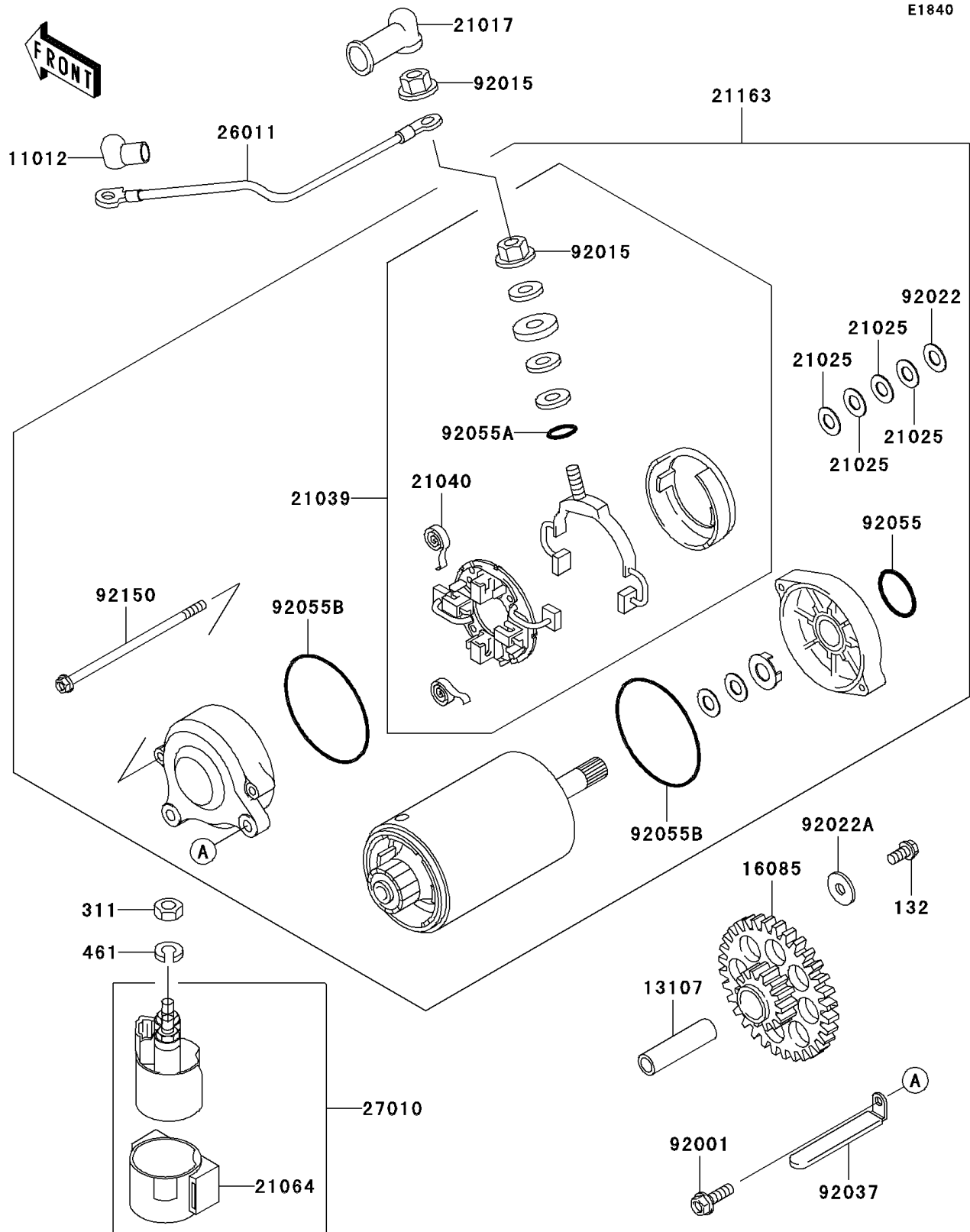


# 2005 Concours

## PARTS DIAGRAM

### Starter Motor



# 2005 Concours

## PARTS LIST

### Starter Motor

**ITEM NAME**

**PART NUMBER**

**QUANTITY**

---