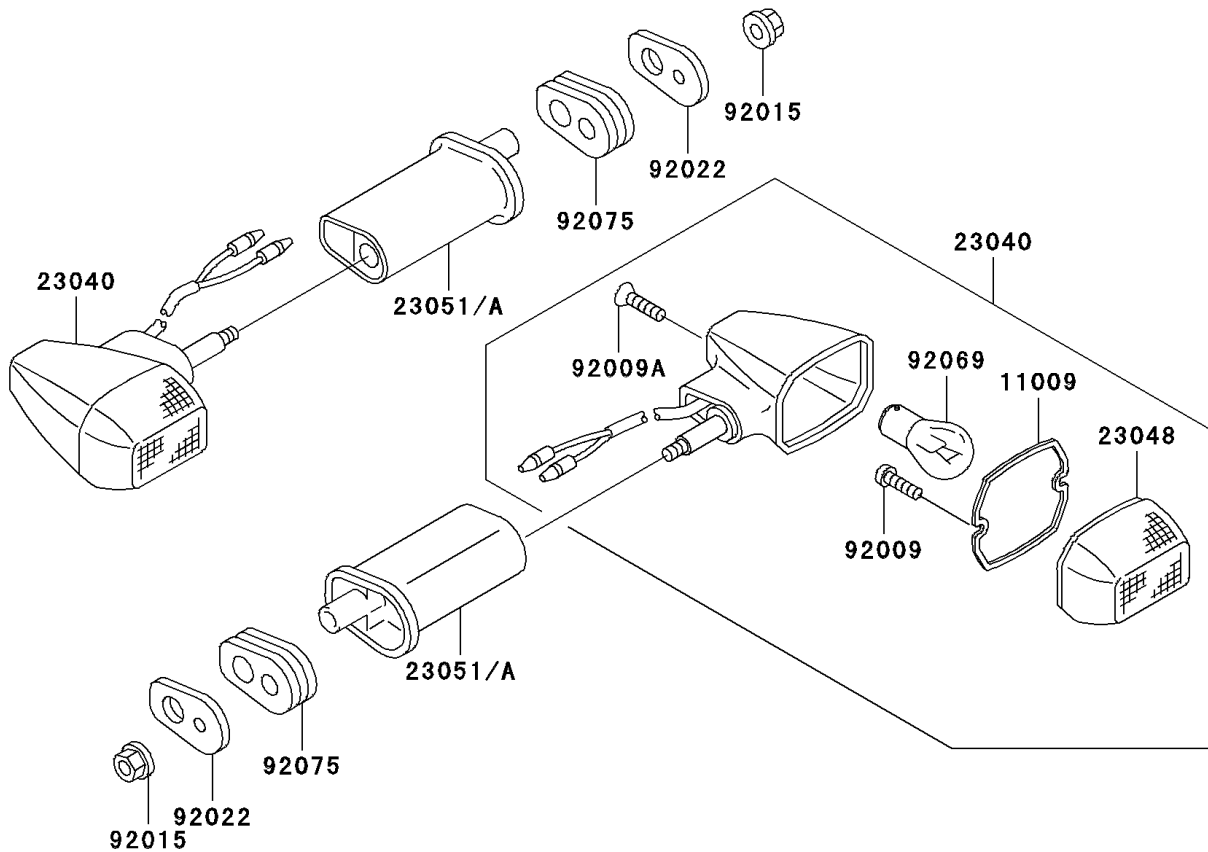
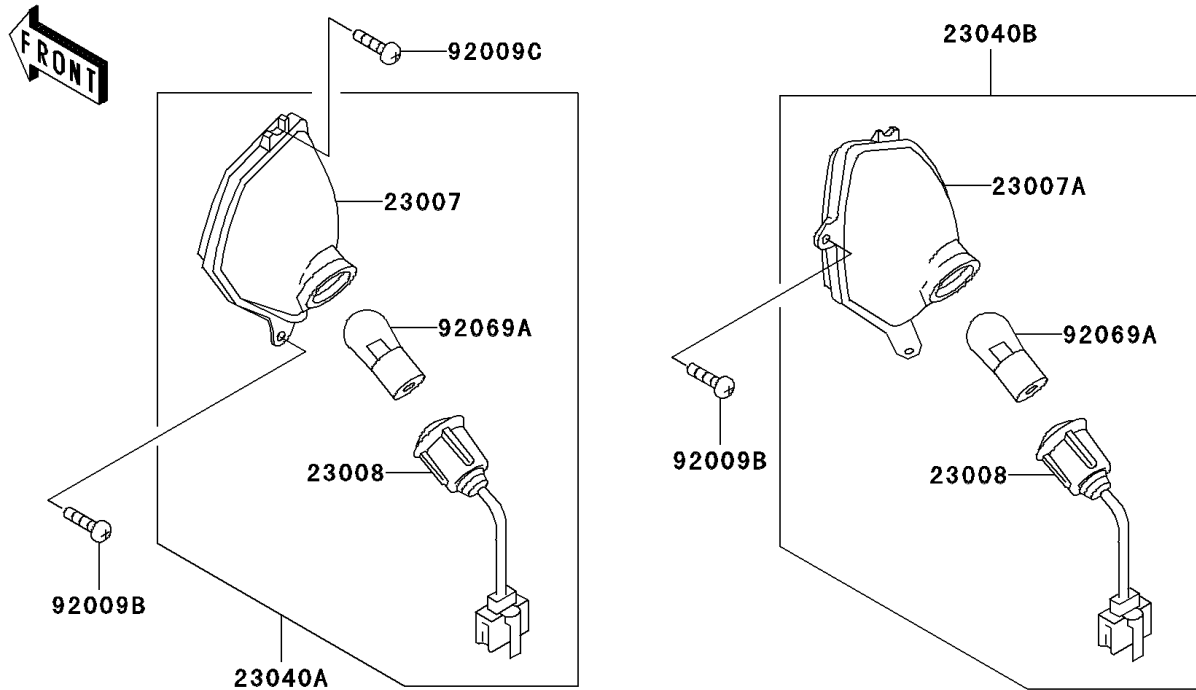


# 2003 Concours

## PARTS DIAGRAM

### Turn Signals

F2730



# 2003 Concours

## PARTS LIST

### Turn Signals

| ITEM NAME                                  | PART NUMBER | QUANTITY |
|--|-------------|----------|
| GASKET,SIGNAL LAMP (Ref # 11009)           | 11009-1402  | 2        |
| LENS-COMP,SIGNAL LAMP,FR,LH (Ref # 23007)  | 23007-1142  | 1        |
| LENS-COMP,SIGNAL LAMP,FR,RH (Ref # 23007A) | 23007-1143  | 1        |
| SOCKET-ASSY,SIGNAL LAMP,FR (Ref # 23008)   | 23008-1299  | 2        |
| LAMP-SIGNAL,RR (Ref # 23040)               | 23040-1108  | 2        |
| LAMP-SIGNAL,FR,LH (Ref # 23040A)           | 23040-1136  | 1        |
| LAMP-SIGNAL,FR,RH (Ref # 23040B)           | 23040-1137  | 1        |
| LENS-SIGNAL LAMP (Ref # 23048)             | 23048-1054  | 2        |
| BRACKET-SIGNAL LAMP (Ref # 23051A)         | 23051-1252  | 2        |
| SCREW,TAPPING,3X16 (Ref # 92009)           | 92009-1115  | 4        |
| SCREW,TAPPING,4X20 (Ref # 92009A)          | 92009-1304  | 2        |
| SCREW,4X18 (Ref # 92009B)                  | 92009-1355  | 4        |
| SCREW,TAPPING,4X12 (Ref # 92009C)          | 92009-1444  | 2        |
| NUT,FLANGED,6MM (Ref # 92015)              | 92015-1367  | 2        |
| WASHER,SIGNAL LAMP (Ref # 92022)           | 92022-1672  | 2        |
| BULB,12V 32CP(23W) (Ref # 92069)           | 92069-055   | 2        |
| BULB,12V 32/3CP(23/8W) (Ref # 92069A)      | 92069-060   | 2        |
| DAMPER,SIGNAL LAMP (Ref # 92075)           | 92075-1698  | 2        |