

2000 Concours

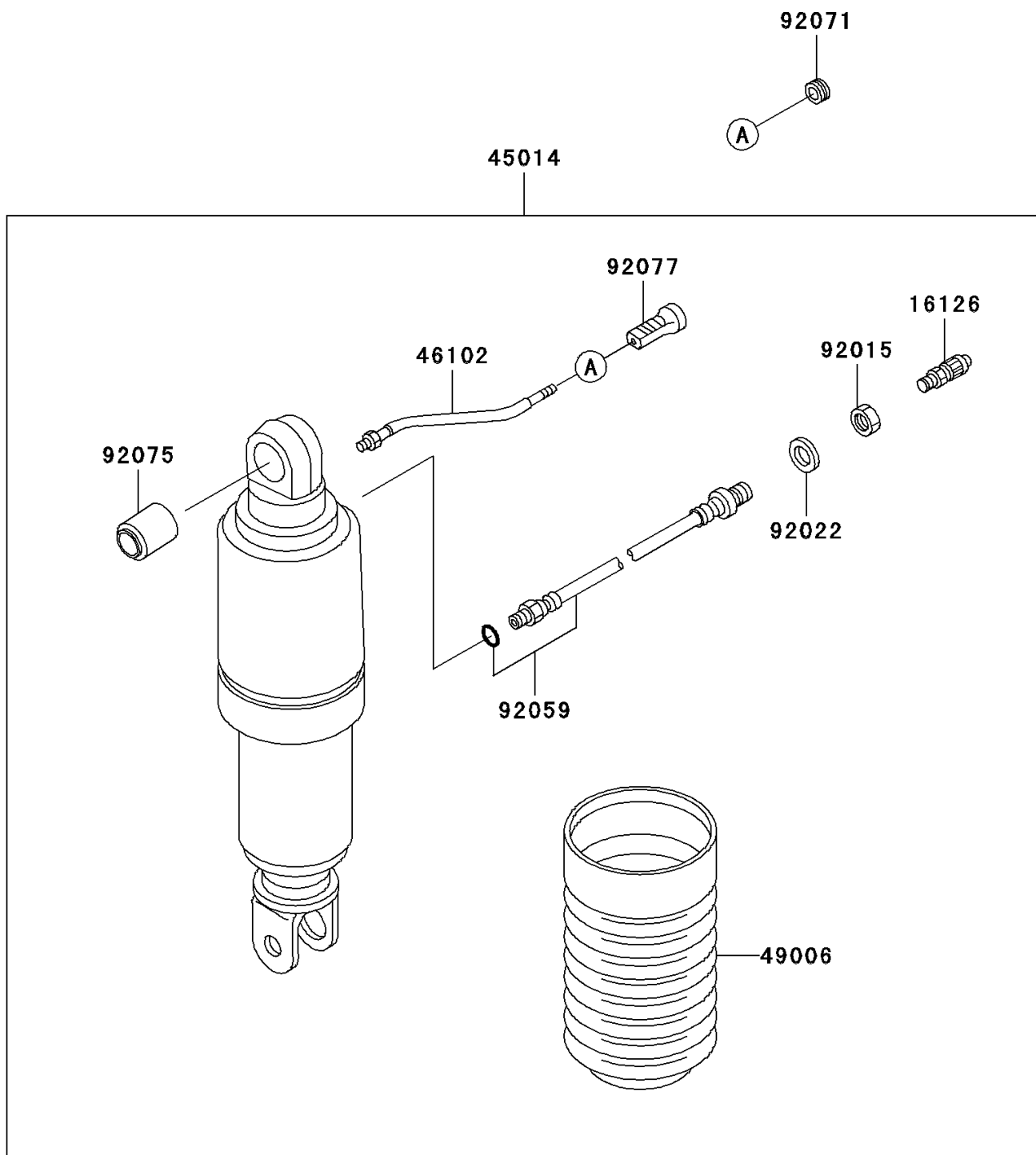
PARTS DIAGRAM

Shock Absorber(s)

Kawasaki

Let the Good Times Roll®

F2280



2000 Concours

PARTS LIST

Shock Absorber(s)

ITEM NAME	PART NUMBER	QUANTITY
VALVE,AIR (Ref # 16126)	16126-1143	1
SHOCKABSORBER (Ref # 45014)	45014-1587	1
ROD,SHOCKABSORBER,ADJUST (Ref # 46102)	46102-1192	1
BOOT,SHOCKABSORBER (Ref # 49006)	49006-1201	1
NUT,14MM (Ref # 92015)	92015-1305	1
WASHER (Ref # 92022)	92022-1494	1
TUBE,SHOCKABSORBER (Ref # 92059)	92059-1744	1
GROMMET (Ref # 92071)	92071-056	1
DAMPER,SHOCKABSORBER (Ref # 92075)	92075-1654	1
KNOB,SHOCKABSORBER,ADJUST (Ref # 92077)	92077-1051	1