

2000 Concours

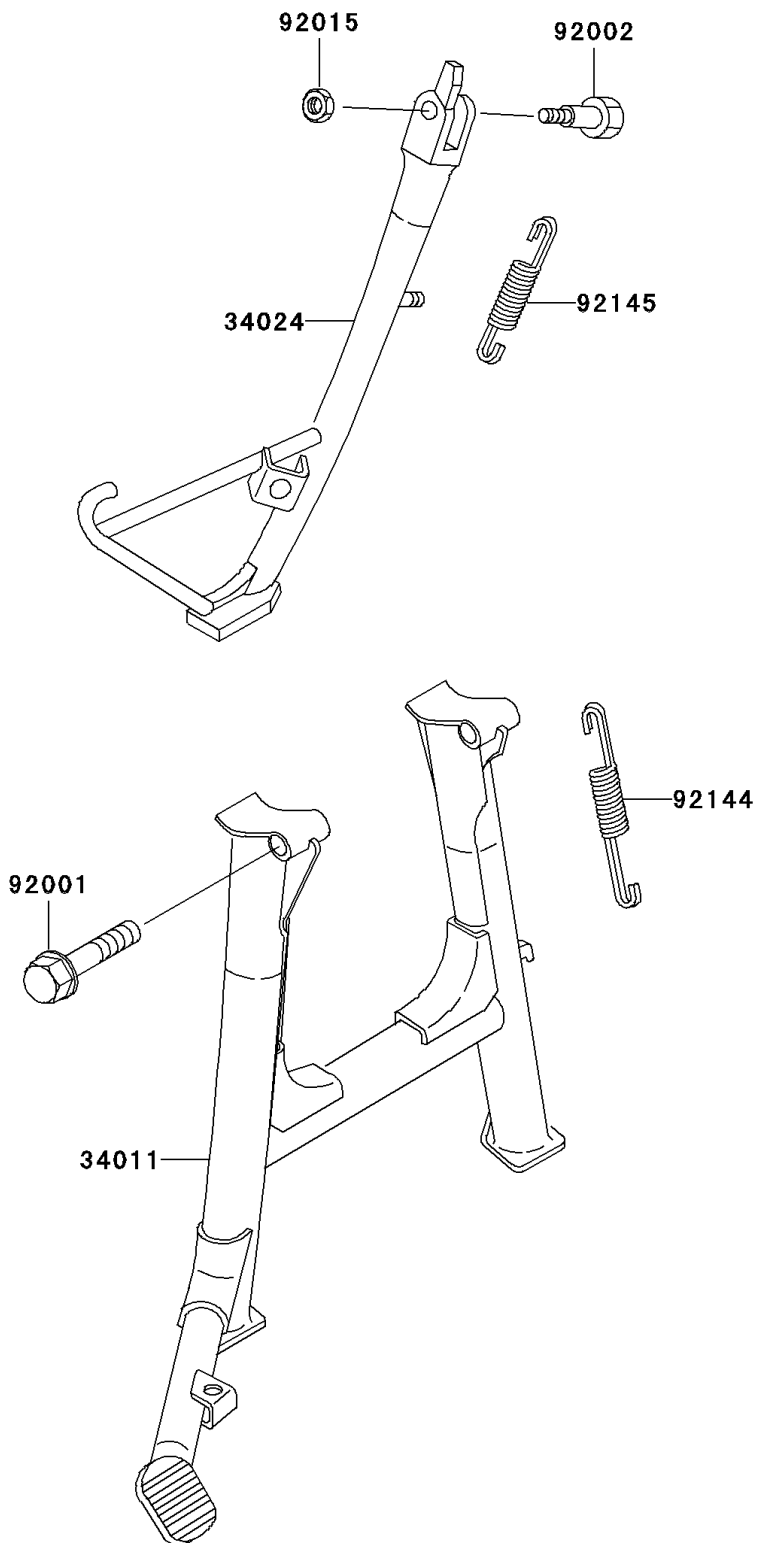
PARTS DIAGRAM

Stand(s)

Kawasaki

Let the Good Times Roll®

F2190



2000 Concours

PARTS LIST

Stand(s)

Kawasaki

Let the Good Times Roll®

ITEM NAME

PART NUMBER

QUANTITY
