

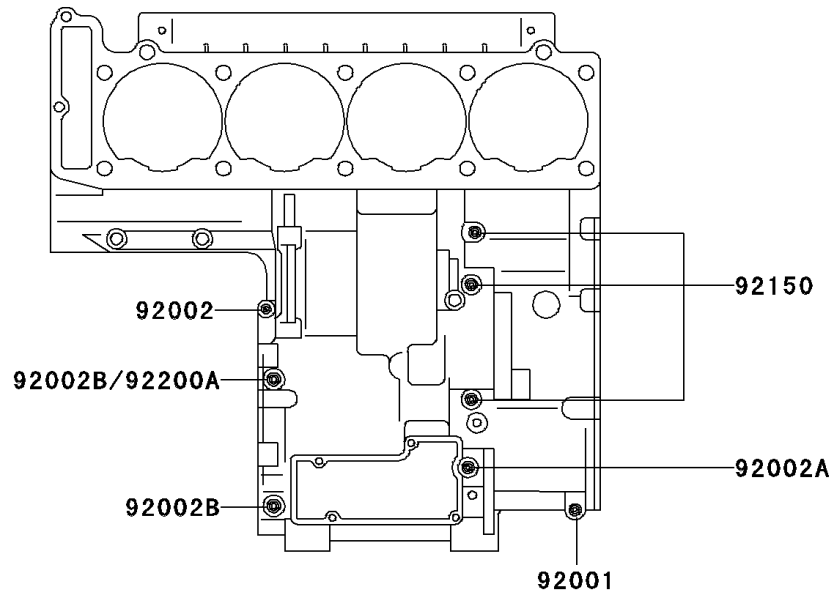
2000 Concours

PARTS DIAGRAM

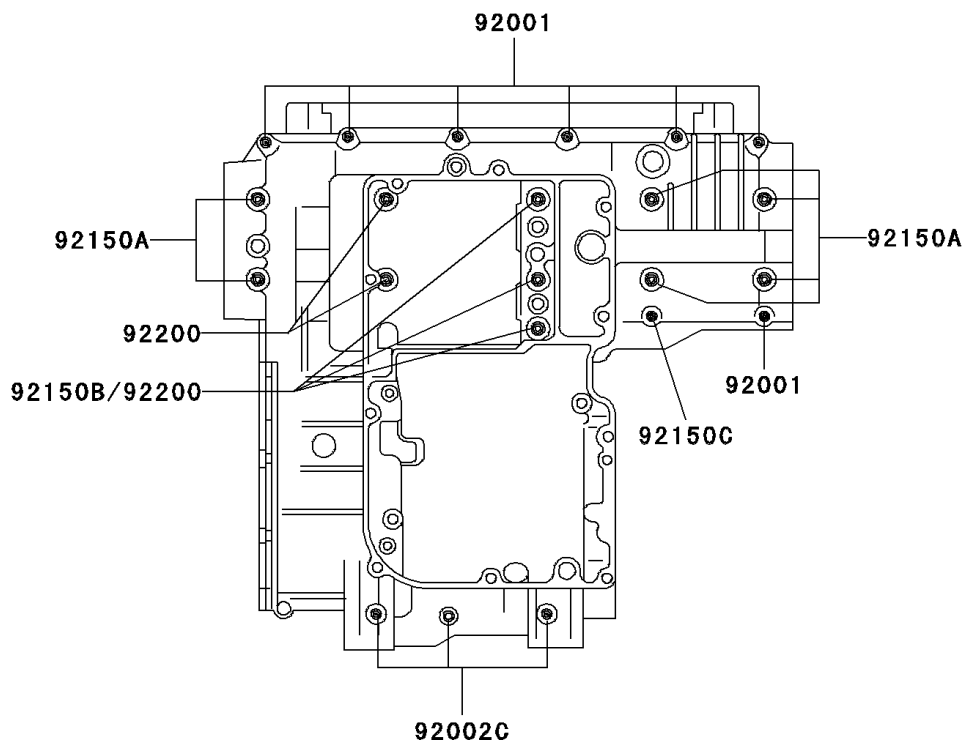
Crankcase Bolt Pattern

E1412

Upper Case



Lower Case



2000 Concours

PARTS LIST

Crankcase Bolt Pattern

Kawasaki

Let the Good Times Roll®

ITEM NAME

PART NUMBER

QUANTITY
