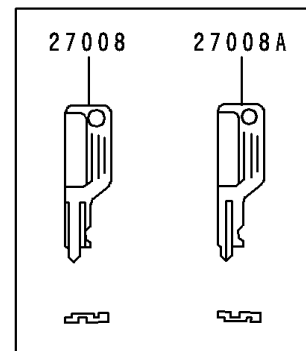
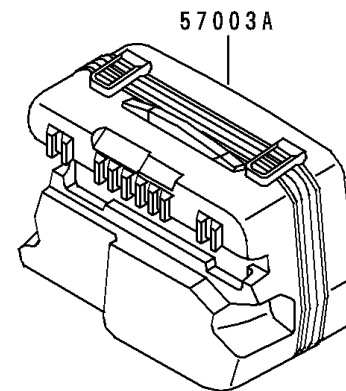
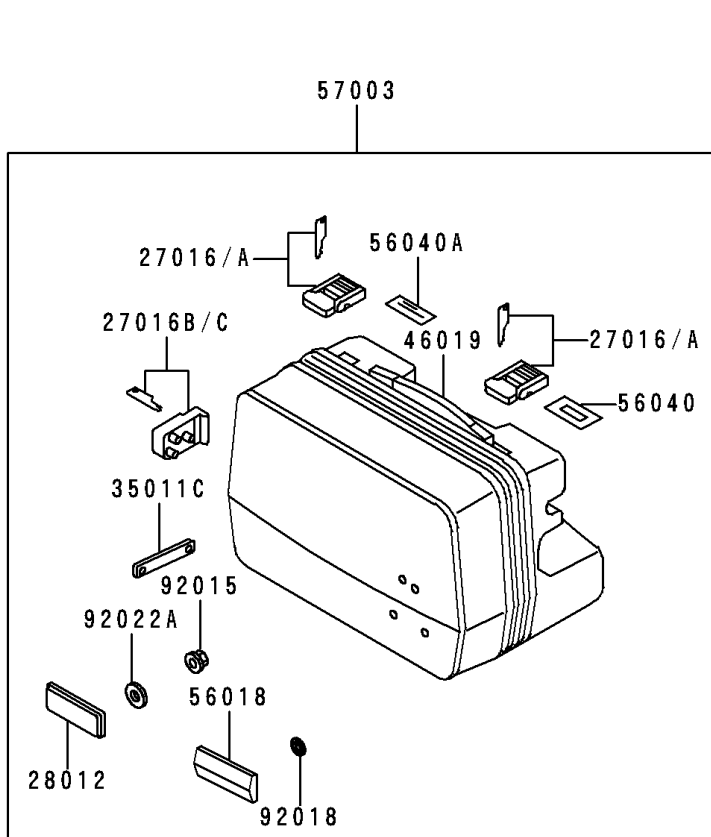
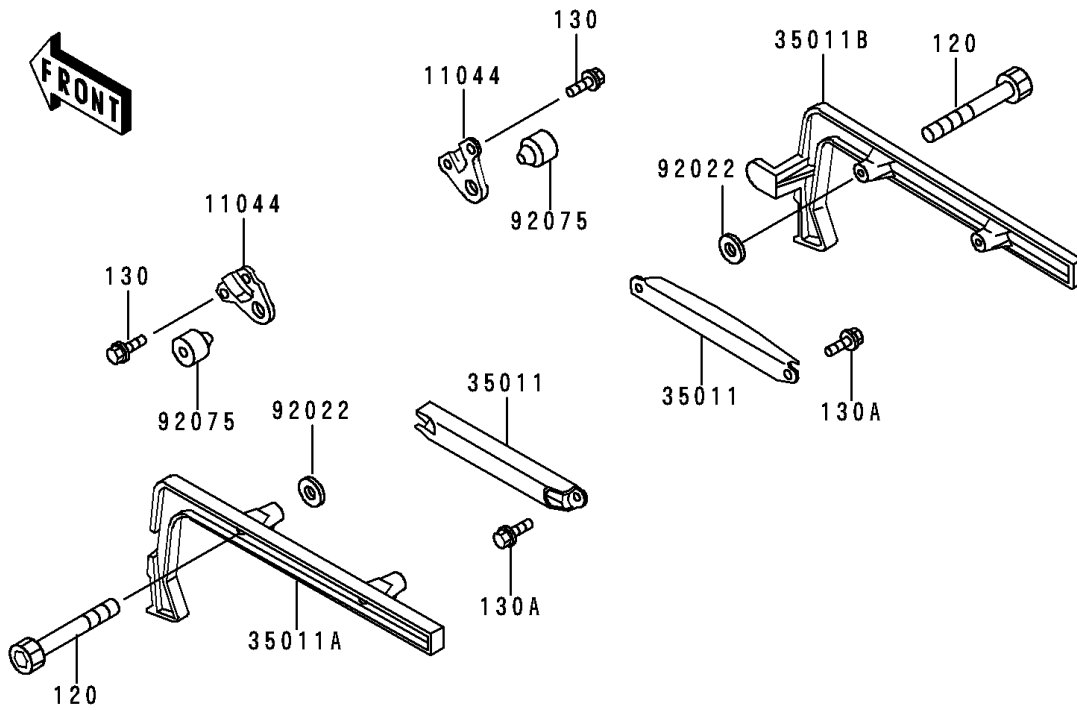


1995 Concours

PARTS DIAGRAM

Accessory

F2910



1995 Concours

PARTS LIST

Accessory

ITEM NAME

PART NUMBER

QUANTITY
