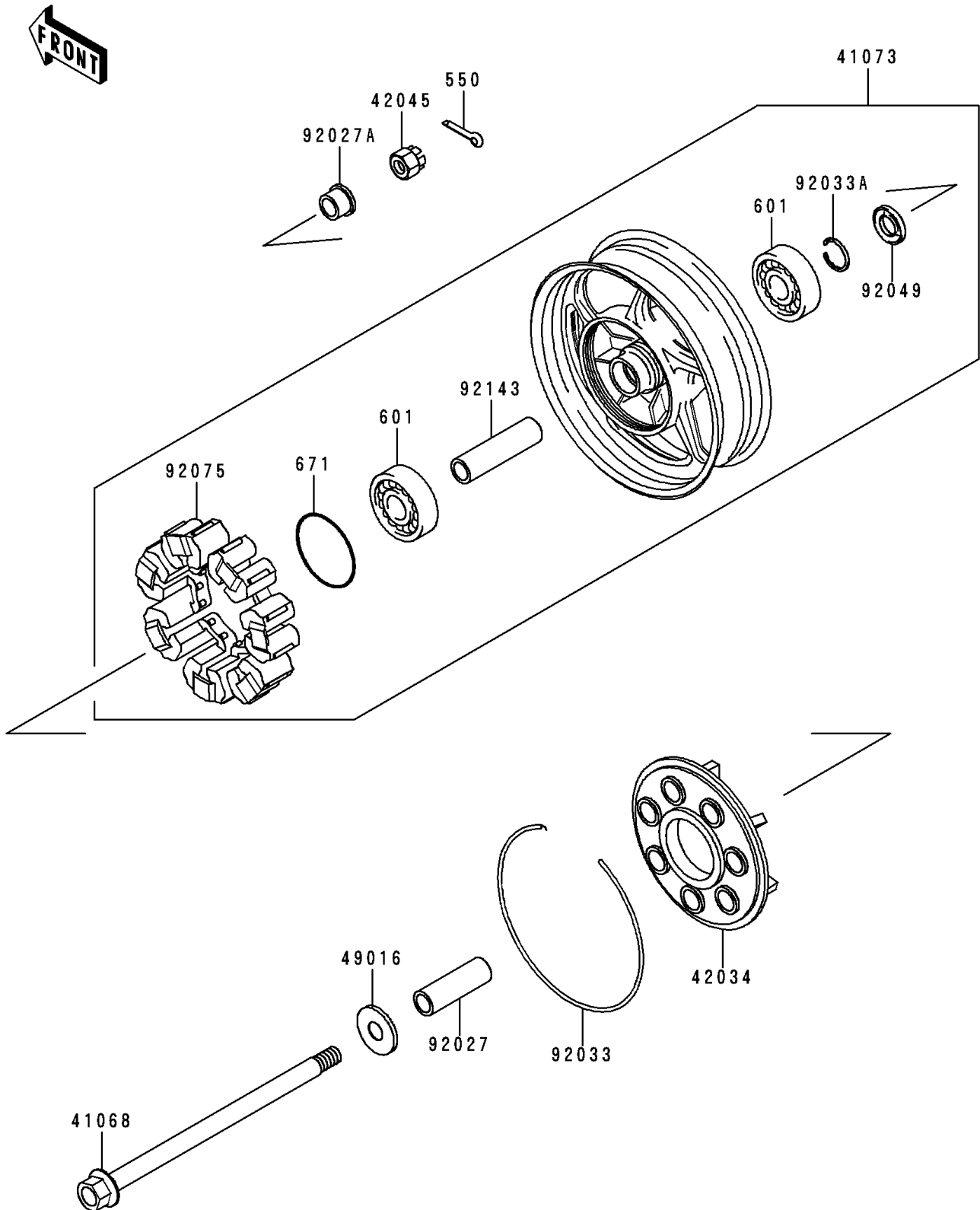


# 1998 Concours

## PARTS DIAGRAM

### Rear Wheel/Chain

F2240



# 1998 Concours

## PARTS LIST

### Rear Wheel/Chain

**ITEM NAME**

**PART NUMBER**

**QUANTITY**

---