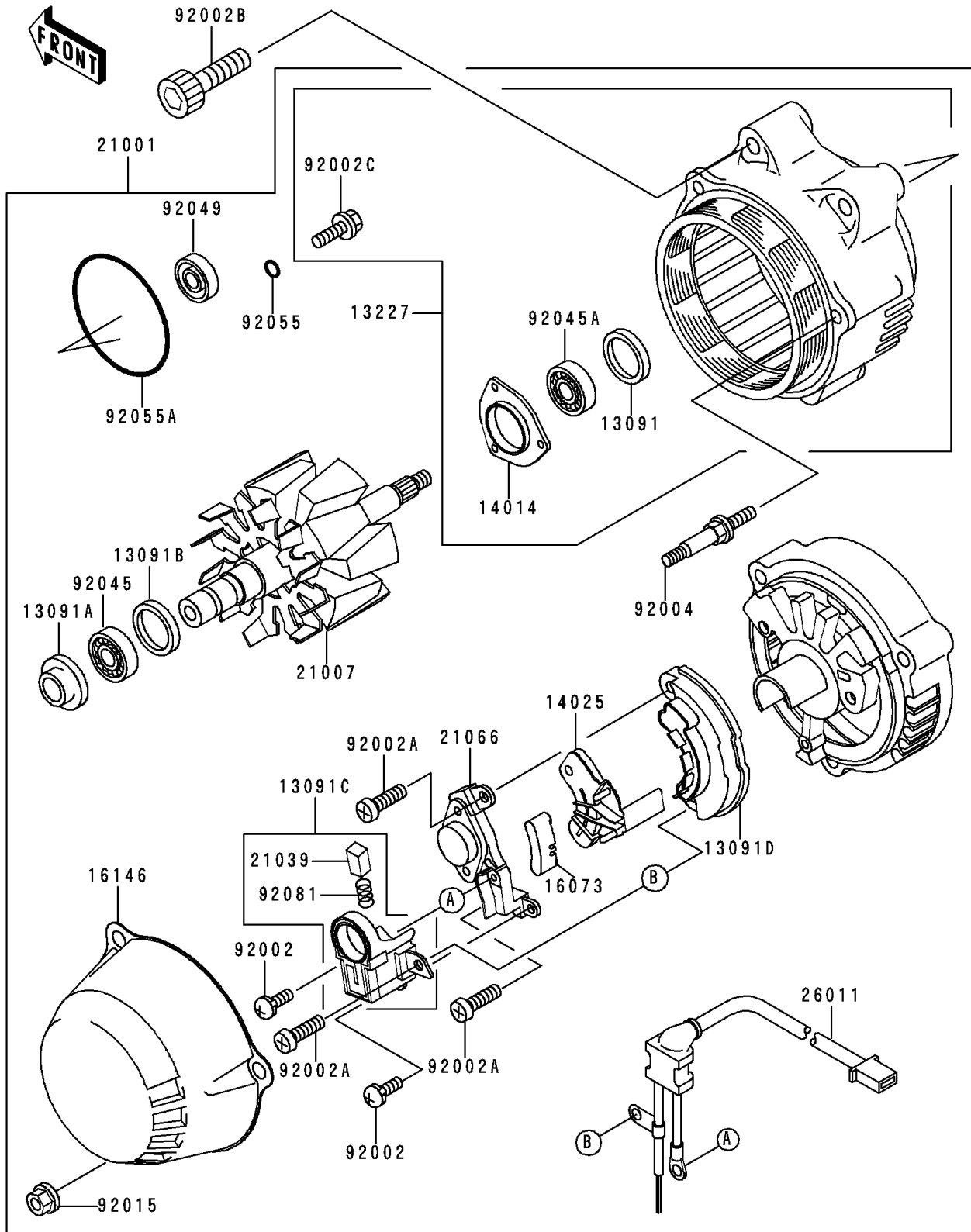


# 1998 Concours

## PARTS DIAGRAM

### Generator

E 1810



# 1998 Concours

## PARTS LIST

### Generator

**ITEM NAME**

**PART NUMBER**

**QUANTITY**

---