

1998 Concours

PARTS DIAGRAM

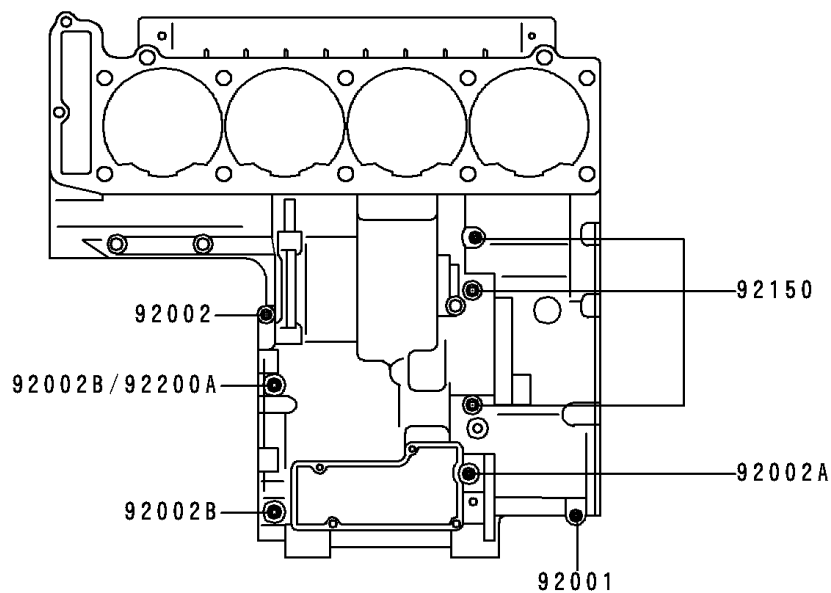
Crankcase Bolt Pattern

Kawasaki

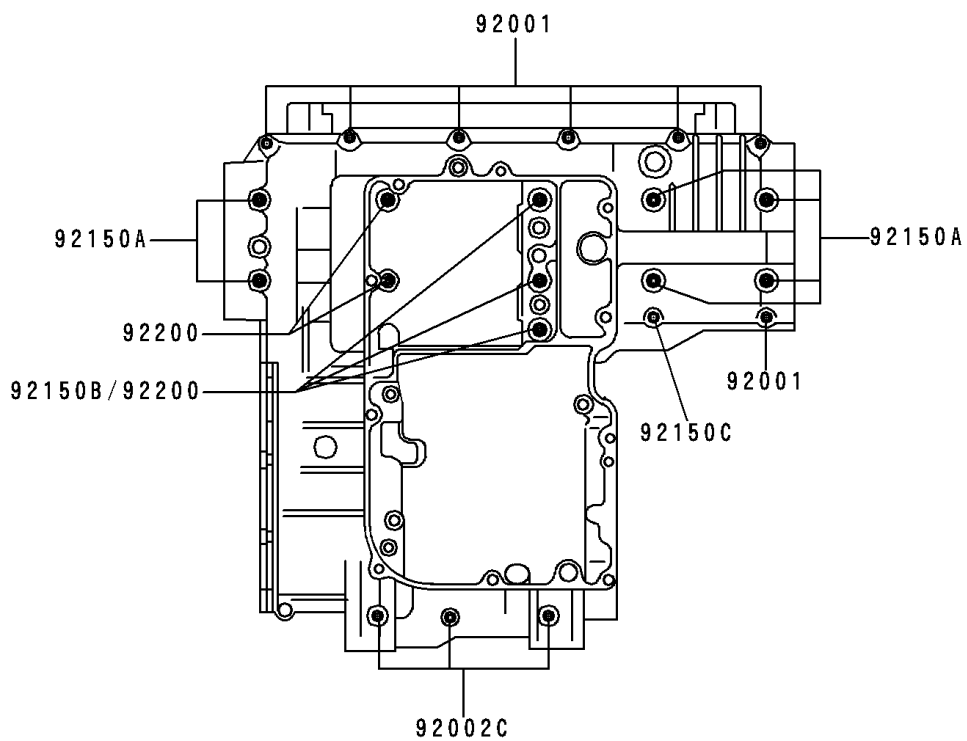
Let the Good Times Roll®

E1412

Upper Case



Lower Case



1998 Concours

PARTS LIST

Crankcase Bolt Pattern

ITEM NAME

PART NUMBER

QUANTITY
