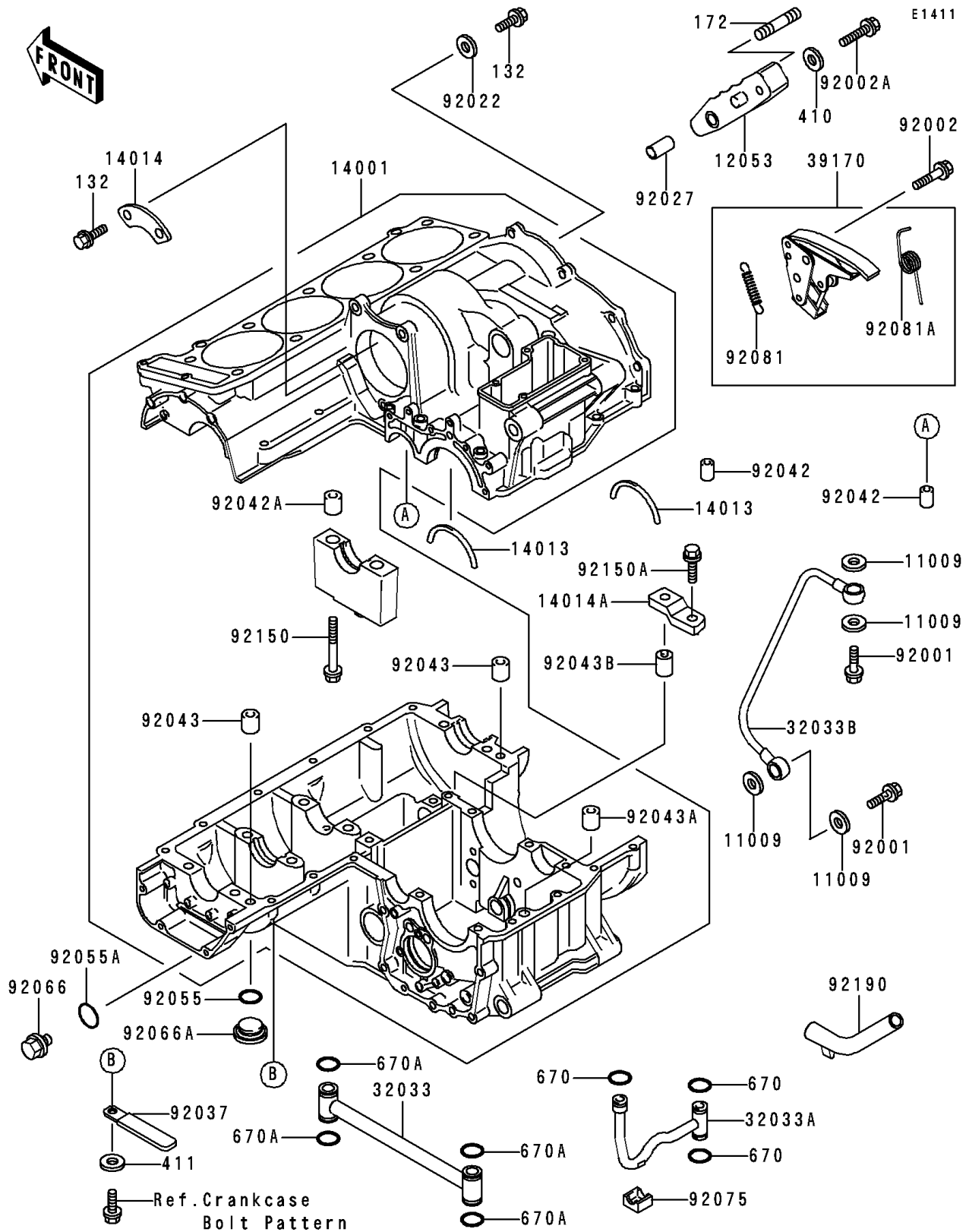


1999 Concours

PARTS DIAGRAM

Crankcase



1999 Concours

PARTS LIST

Crankcase

ITEM NAME

PART NUMBER

QUANTITY
