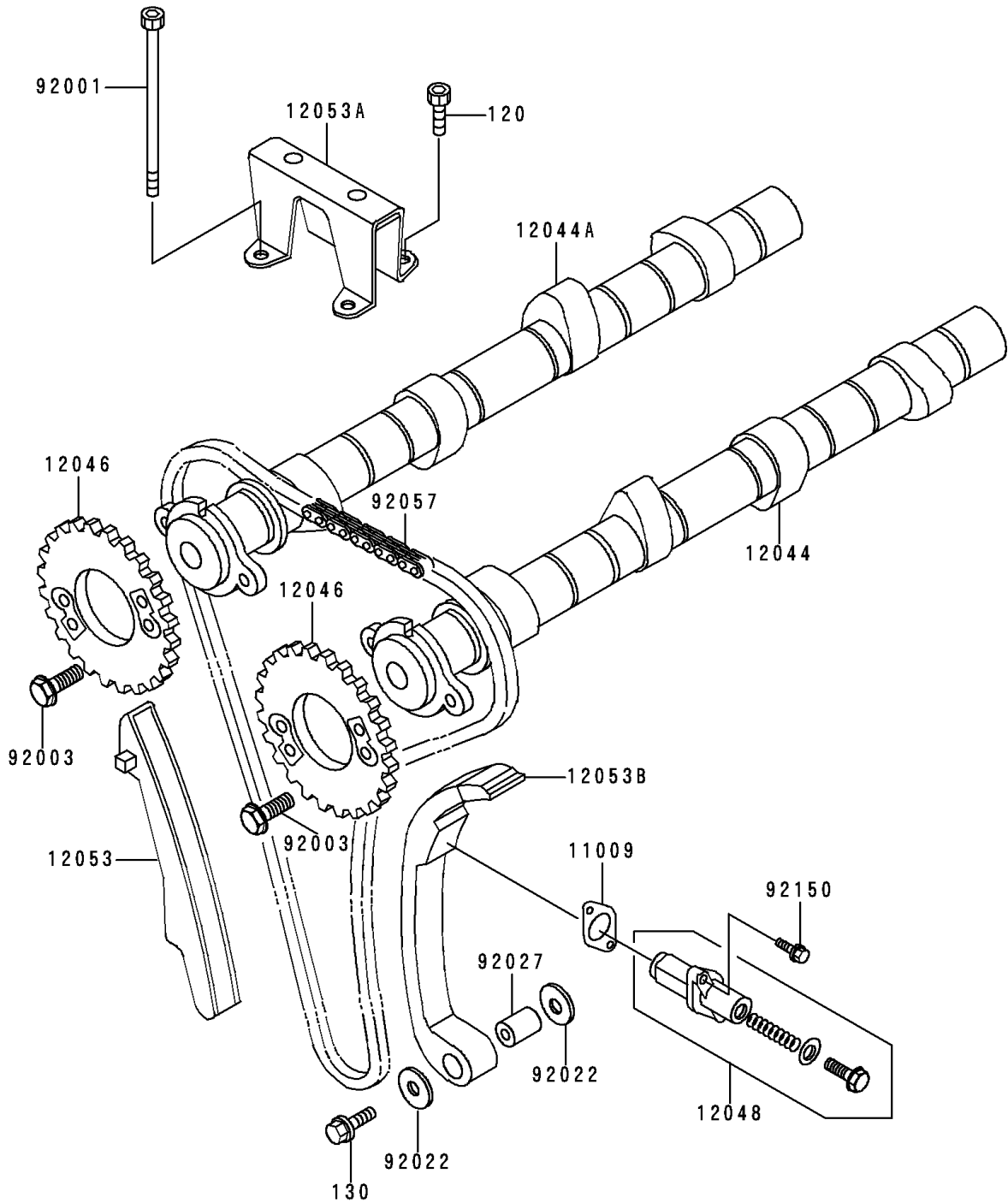


1999 Concours

PARTS DIAGRAM

Camshaft(s)/Tensioner

E1230



1999 Concours

PARTS LIST

Camshaft(s)/Tensioner

ITEM NAME

PART NUMBER

QUANTITY
