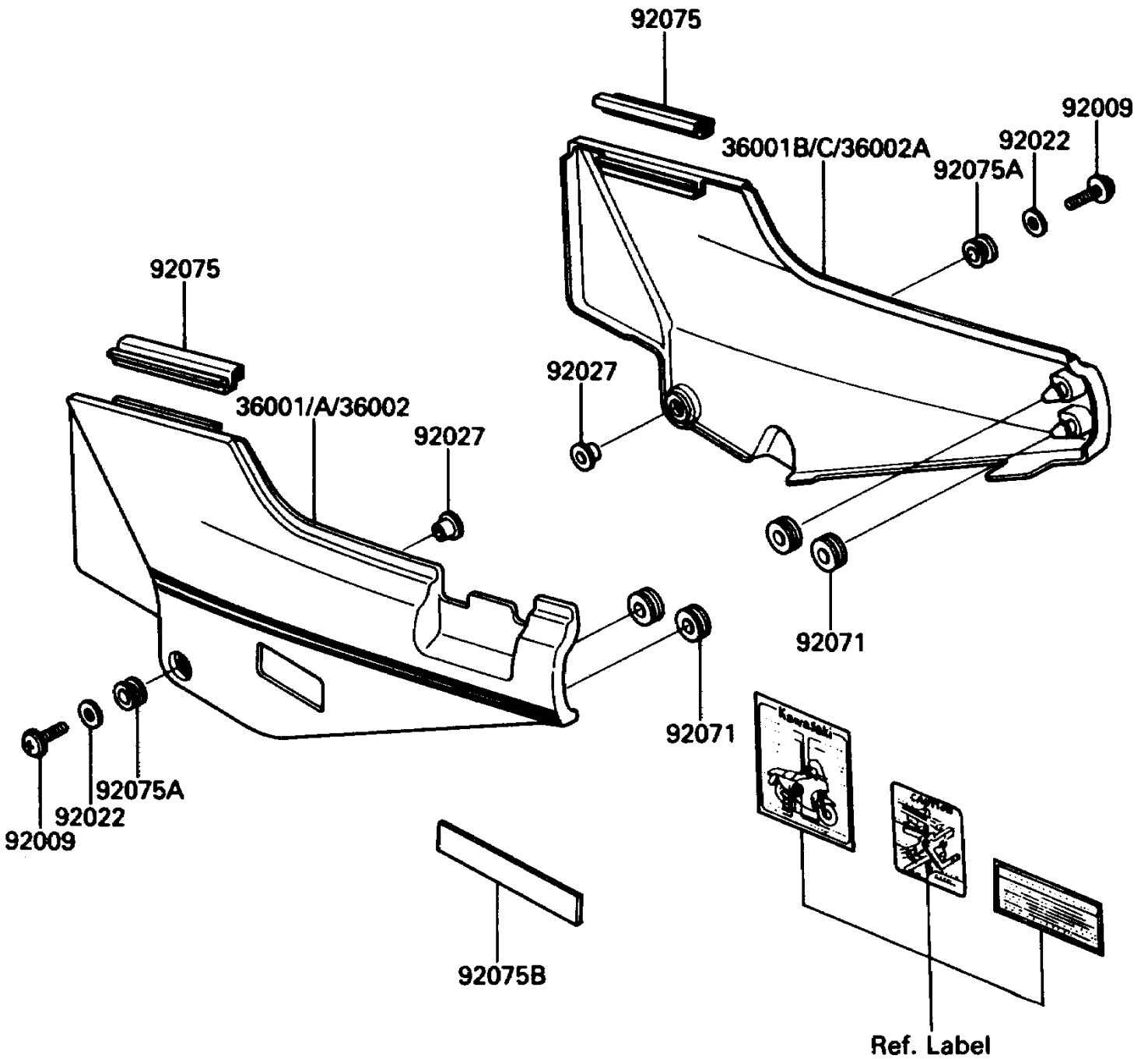


1988 Concours

PARTS DIAGRAM

Side Covers/Chain Cover

F2610-0331



1988 Concours

PARTS LIST

Side Covers/Chain Cover

ITEM NAME	PART NUMBER	QUANTITY
COVER-SIDE,LH,RED/BLACK (Ref # 36002)	36002-5483-CR	1
COVER-SIDE,RH,RED/BLACK (Ref # 36002A)	36002-5484-CR	1
SCREW,6X18,BLACK (Ref # 92009)	92009-1306	2
WASHER,6.5X20X1.6,BLACK (Ref # 92022)	92022-1619	2
COLLAR,L=9.1,WHITE (Ref # 92027)	92027-1795	2
GROMMET (Ref # 92071)	92071-056	4
DAMPER,SIDE COVER (Ref # 92075)	92075-1601	2
DAMPER (Ref # 92075A)	92075-1634	2
DAMPER,SIDE COVER (Ref # 92075B)	92075-1854	1