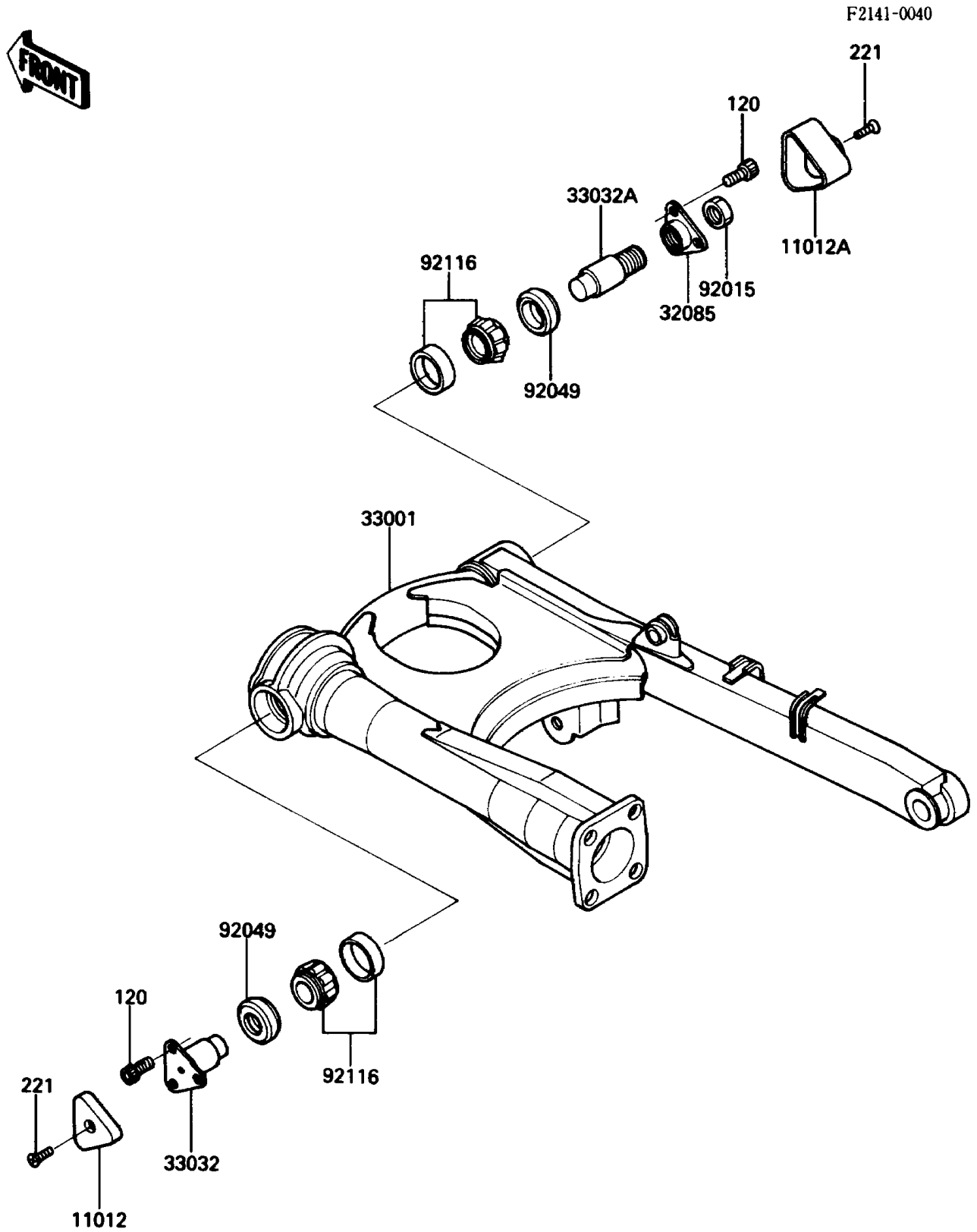


1988 Concours

PARTS DIAGRAM

Swingarm



1988 Concours

PARTS LIST

Swingarm

ITEM NAME

PART NUMBER

QUANTITY
