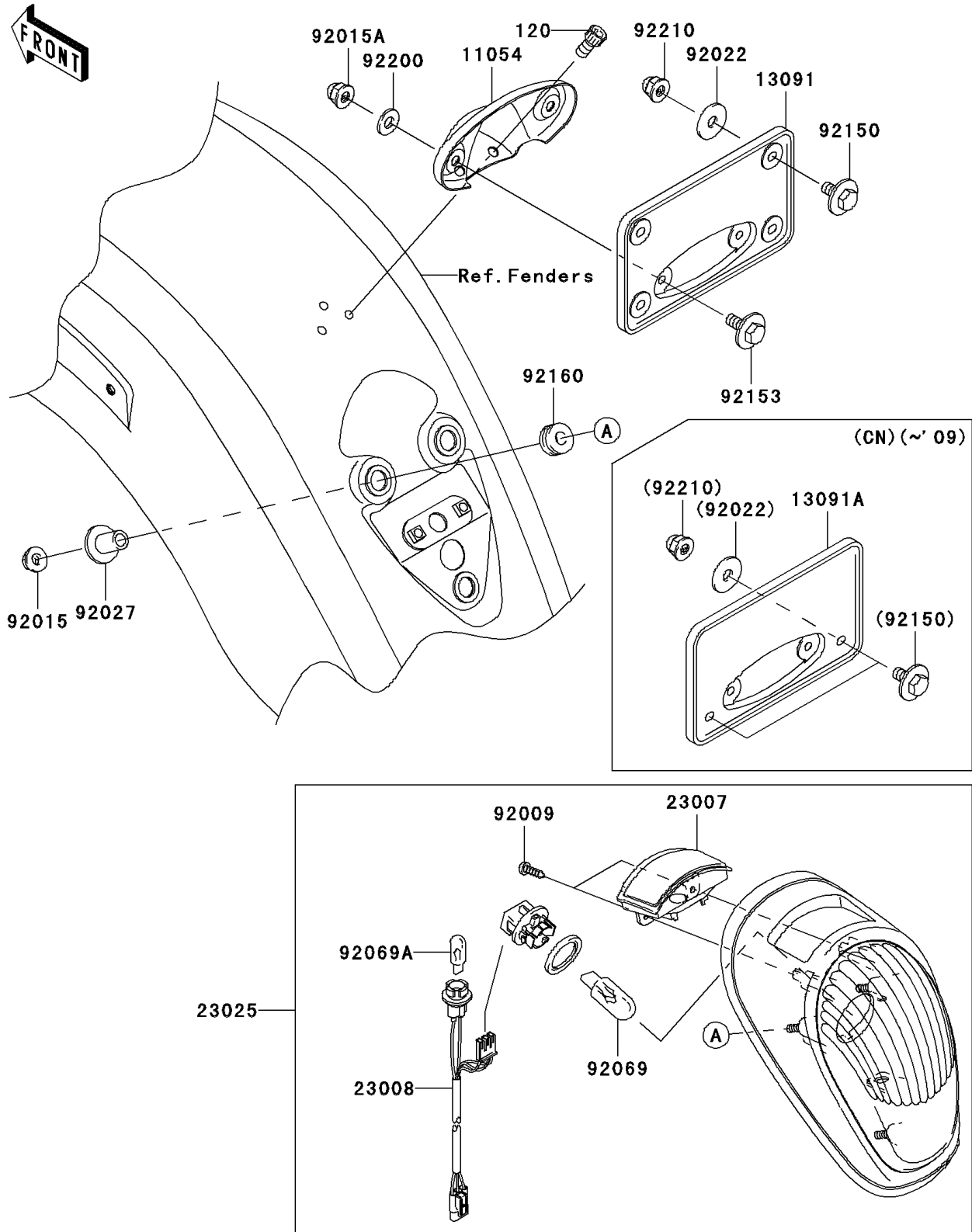


2009 Vulcan® 2000 Classic LT

PARTS DIAGRAM

Taillight(s)

F2720



2009 Vulcan[®] 2000 Classic LT

PARTS LIST

Taillight(s)

ITEM NAME

PART NUMBER

QUANTITY
