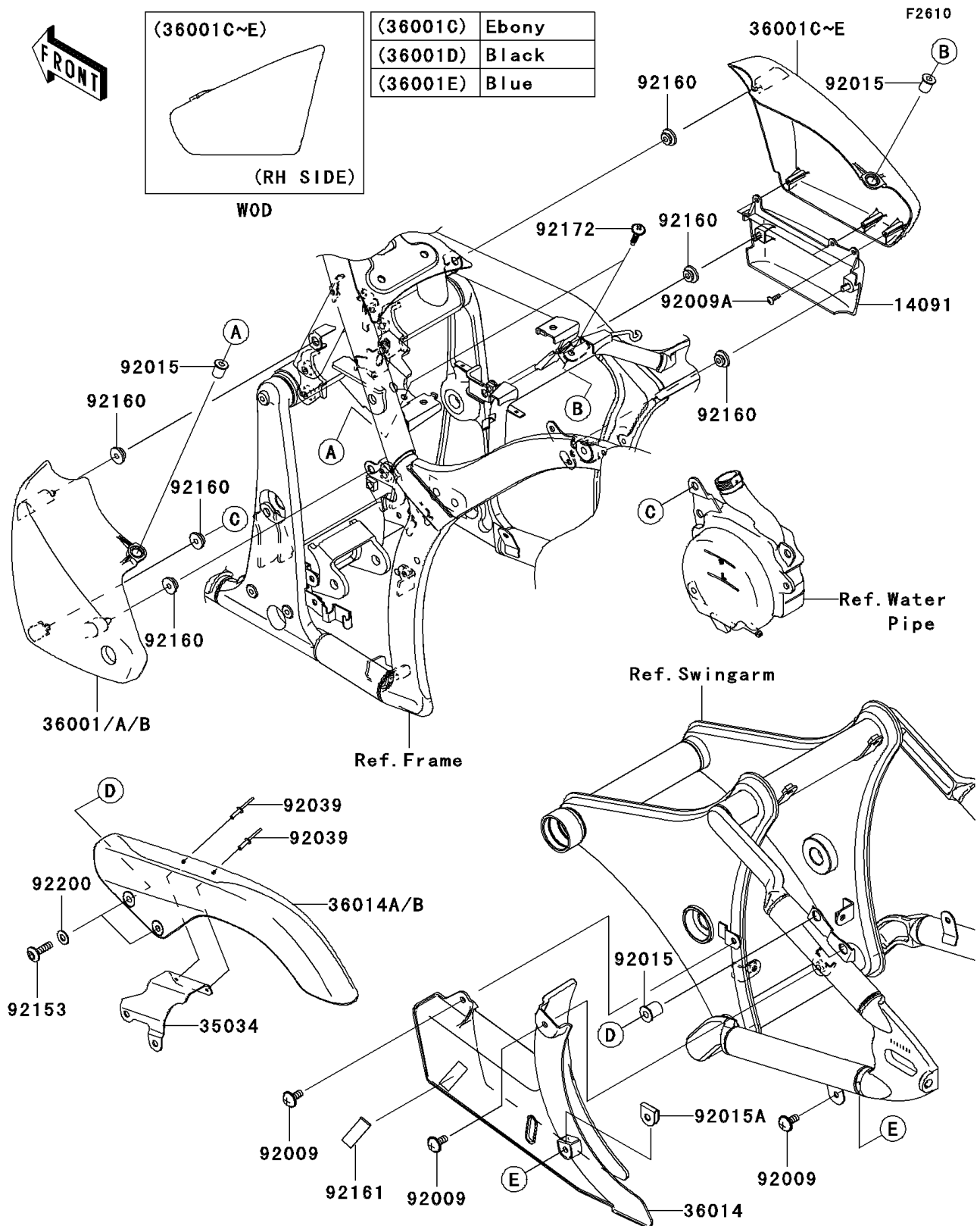


2009 Vulcan 900 Custom (European)

PARTS DIAGRAM

Side Covers/Chain Cover



2009 Vulcan 900 Custom (European)



PARTS LIST

Side Covers/Chain Cover

ITEM NAME	PART NUMBER	QUANTITY
-----------	-------------	----------
