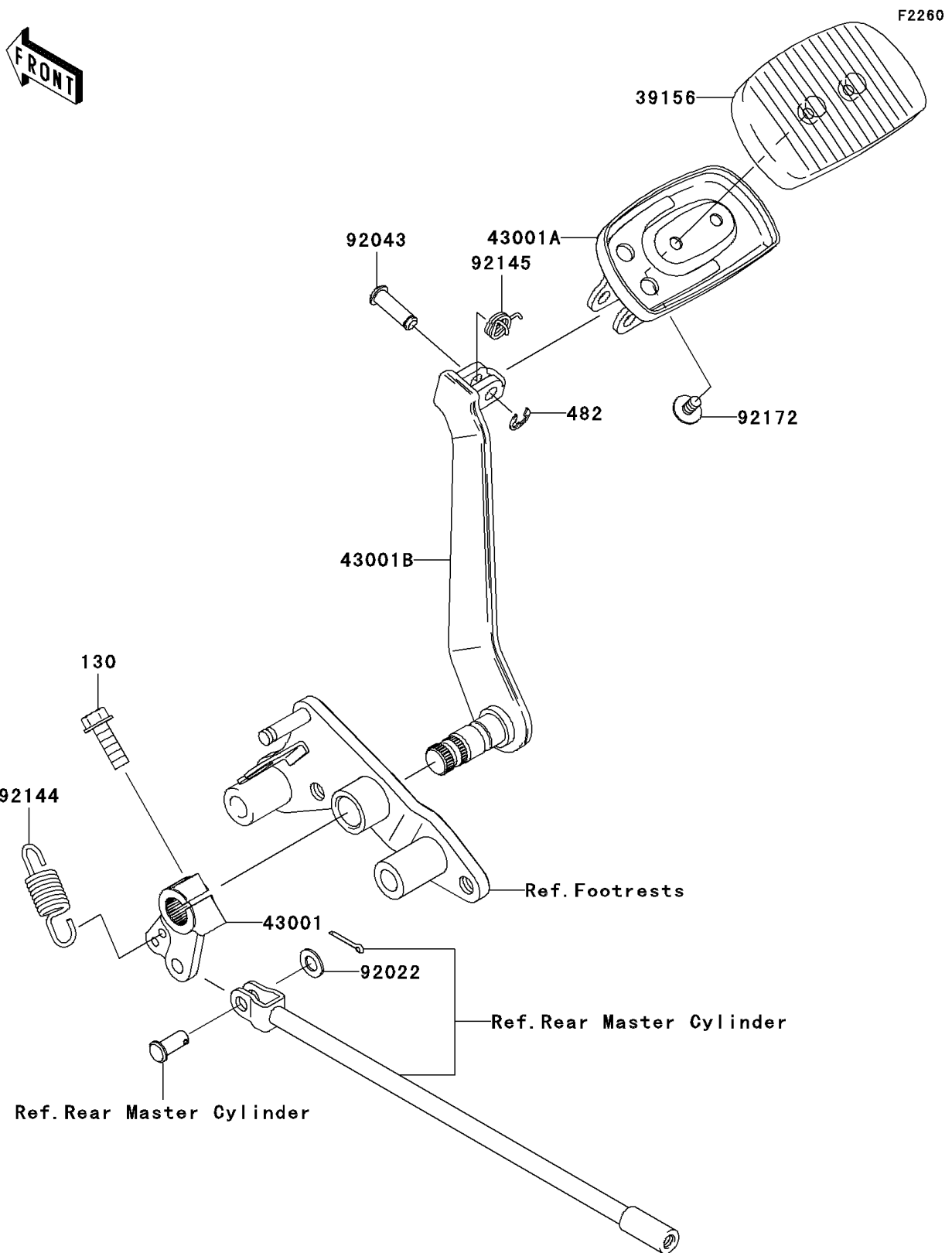


2009 Vulcan® 2000 Classic LT

PARTS DIAGRAM

Brake Pedal/Torque Link



2009 Vulcan® 2000 Classic LT

PARTS LIST

Brake Pedal/Torque Link

| ITEM NAME | PART NUMBER | QUANTITY |
|-----------|-------------|----------|
|-----------|-------------|----------|
