

2005 Vulcan 800 Drifter

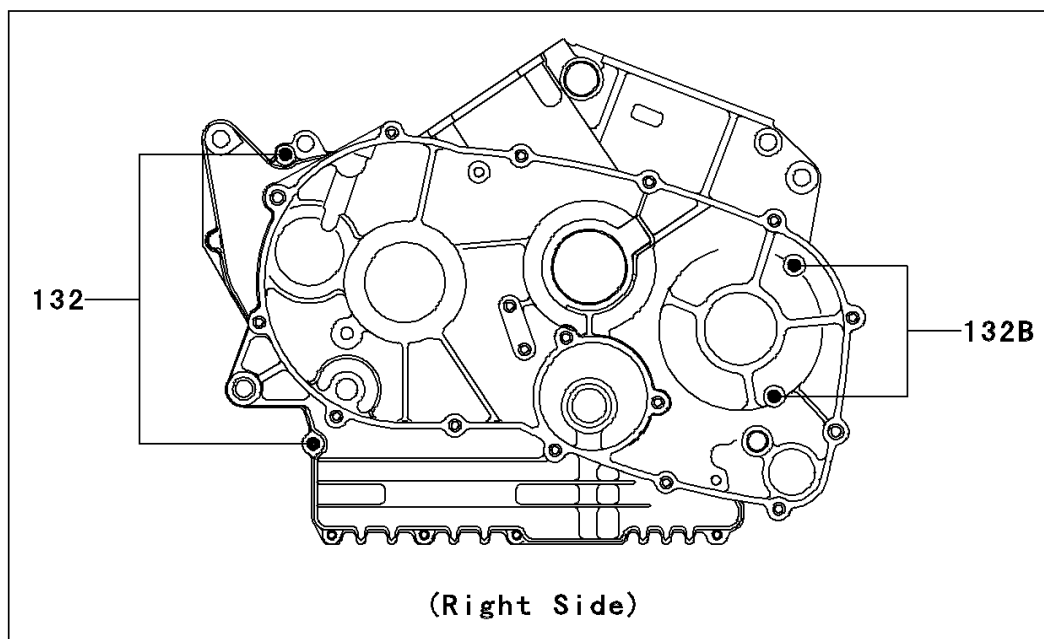
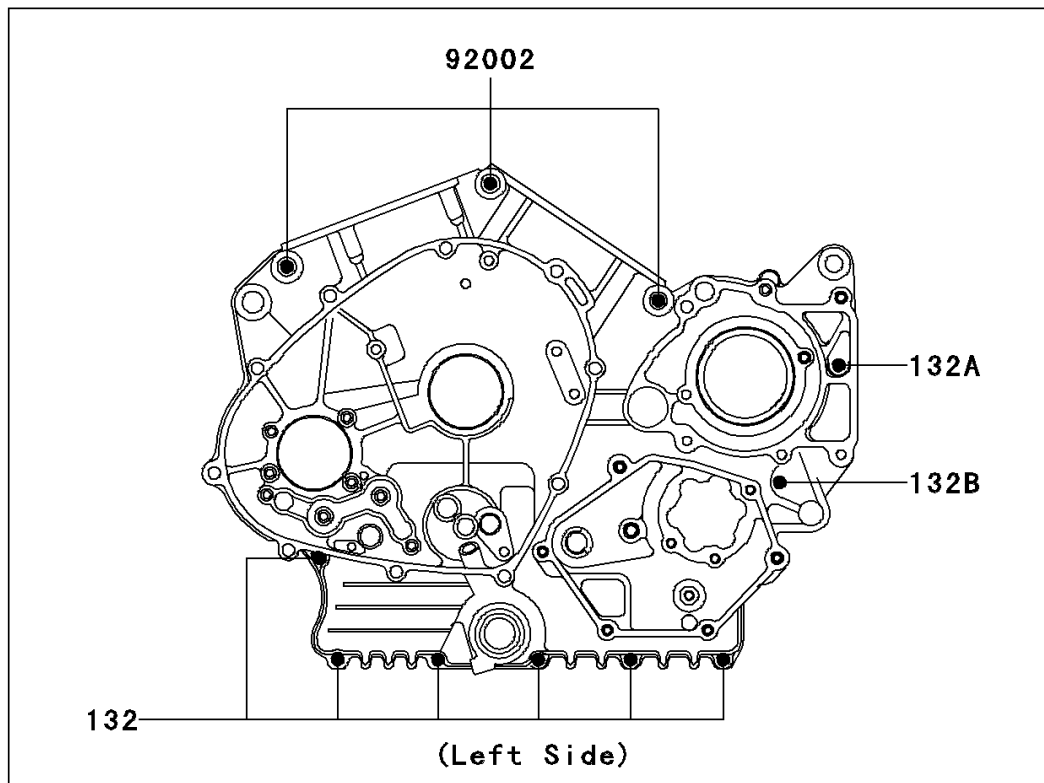
PARTS DIAGRAM

Crankcase Bolt Pattern

Kawasaki

Let the Good Times Roll®

E1412



2005 Vulcan 800 Drifter

PARTS LIST

Crankcase Bolt Pattern

ITEM NAME

PART NUMBER

QUANTITY
