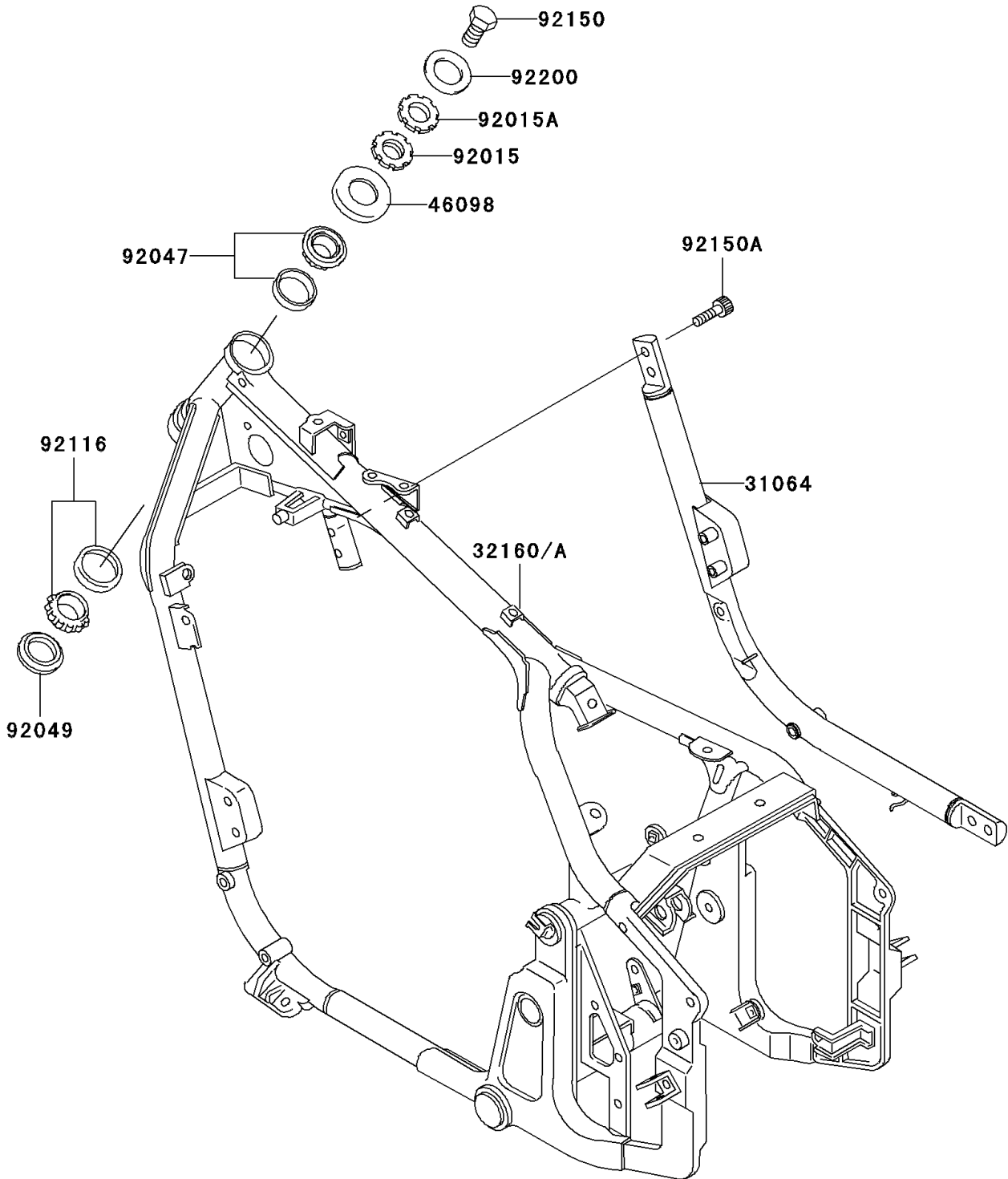


# 2004 Vulcan 800 Classic

## PARTS DIAGRAM

### Frame

F2120



# 2004 Vulcan 800 Classic

## PARTS LIST

### Frame

| ITEM NAME                               | PART NUMBER | QUANTITY |
|---|-------------|----------|
| PIPE-COMP,DOWNTUBE,RH (Ref # 31064)     | 31064-1176  | 1        |
| CAP,STEERING STEM (Ref # 46098)         | 46098-017   | 1        |
| NUT,25MM,T=10 (Ref # 92015)             | 92015-1377  | 1        |
| NUT,25MM,T=6 (Ref # 92015A)             | 92015-1378  | 1        |
| RACE,ROLLER,32005JR RS (Ref # 92047)    | 92047-017   | 1        |
| SEAL-OIL,XMHE36X52X4J (Ref # 92049)     | 92049-1162  | 1        |
| BEARING-ROLLER,HR320/28XJ (Ref # 92116) | 92116-1009  | 1        |
| BOLT,14X25 (Ref # 92150)                | 92150-1672  | 1        |
| BOLT,SOCKET,10X23 (Ref # 92150A)        | 92150-1942  | 4        |
| WASHER (Ref # 92200)                    | 92200-1140  | 1        |
| FRAME-COMP,FR (Ref # 32160)             | 32160-1400  | 1        |
| FRAME-COMP,FR (Ref # 32160A)            | 32160-1502  | 1        |