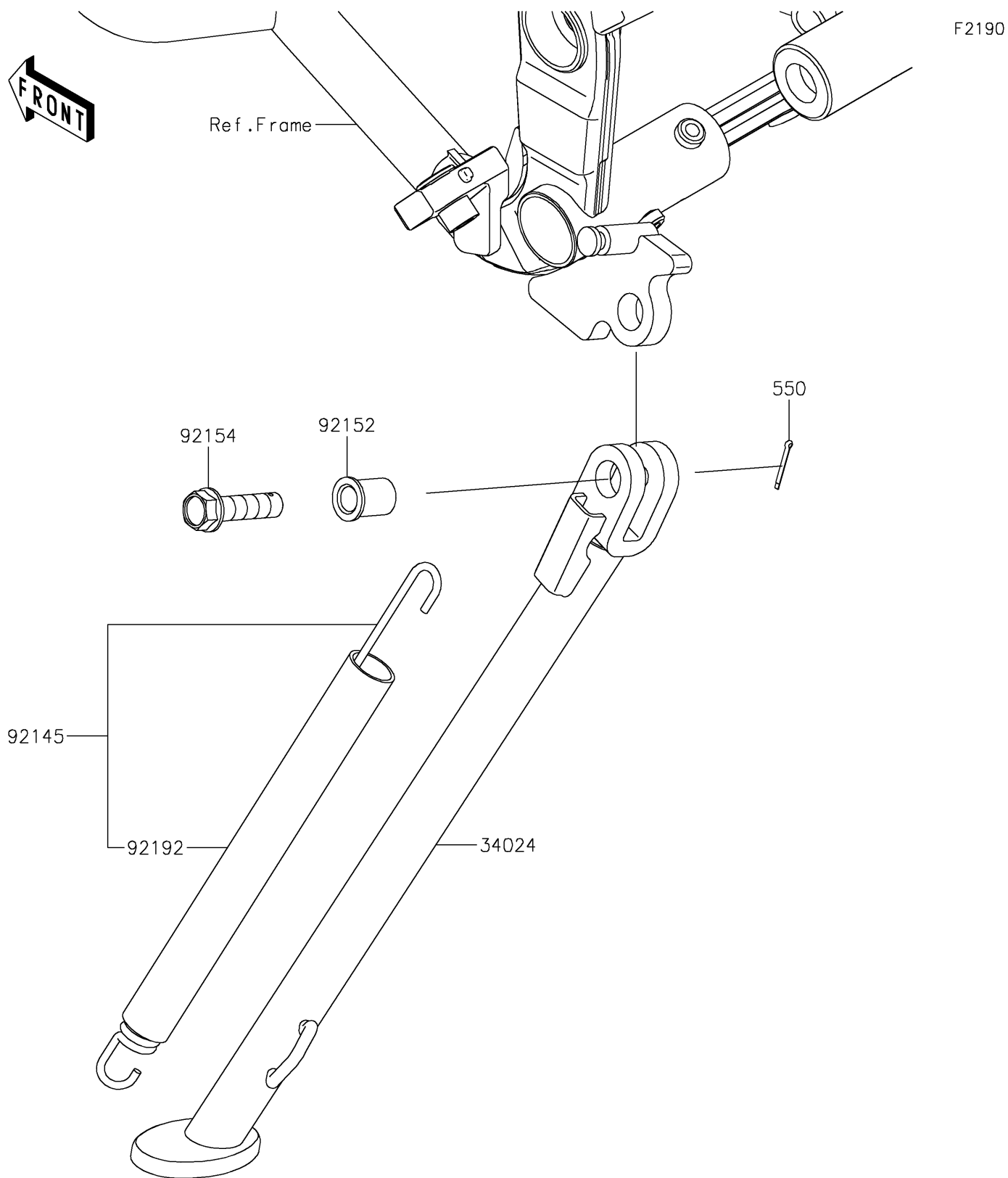


# 2021 KLX<sup>®</sup> 300R

## PARTS DIAGRAM

### Stand(s)



# 2021 KLX<sup>®</sup>300R

## PARTS LIST

Stand(s)

**ITEM NAME**

**PART NUMBER**

**QUANTITY**

---