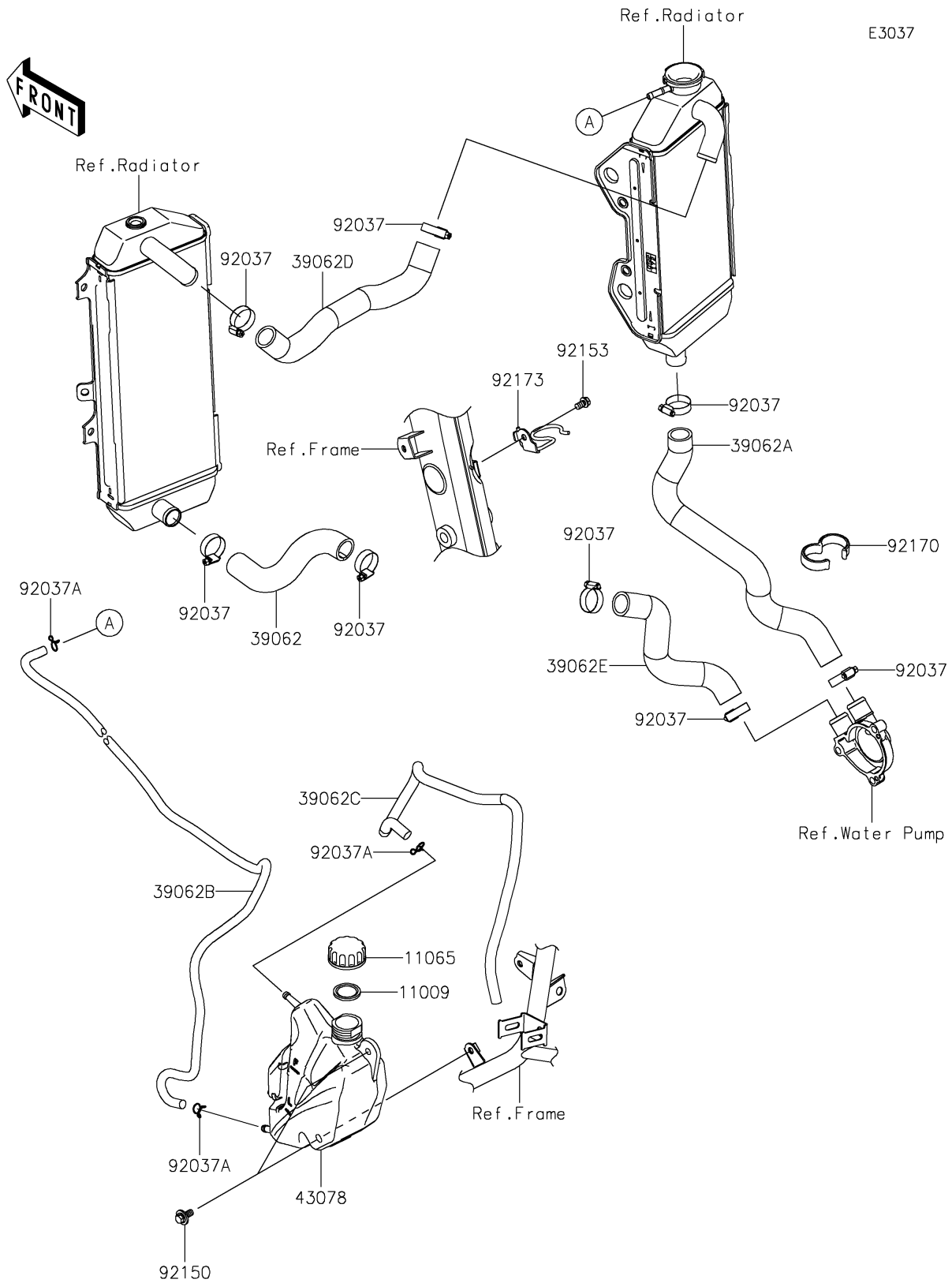


# 2021 KLX<sup>®</sup>300R

## PARTS DIAGRAM

### Water Pipe



# 2021 KLX<sup>®</sup>300R

## PARTS LIST

### Water Pipe

**ITEM NAME**

**PART NUMBER**

**QUANTITY**

---