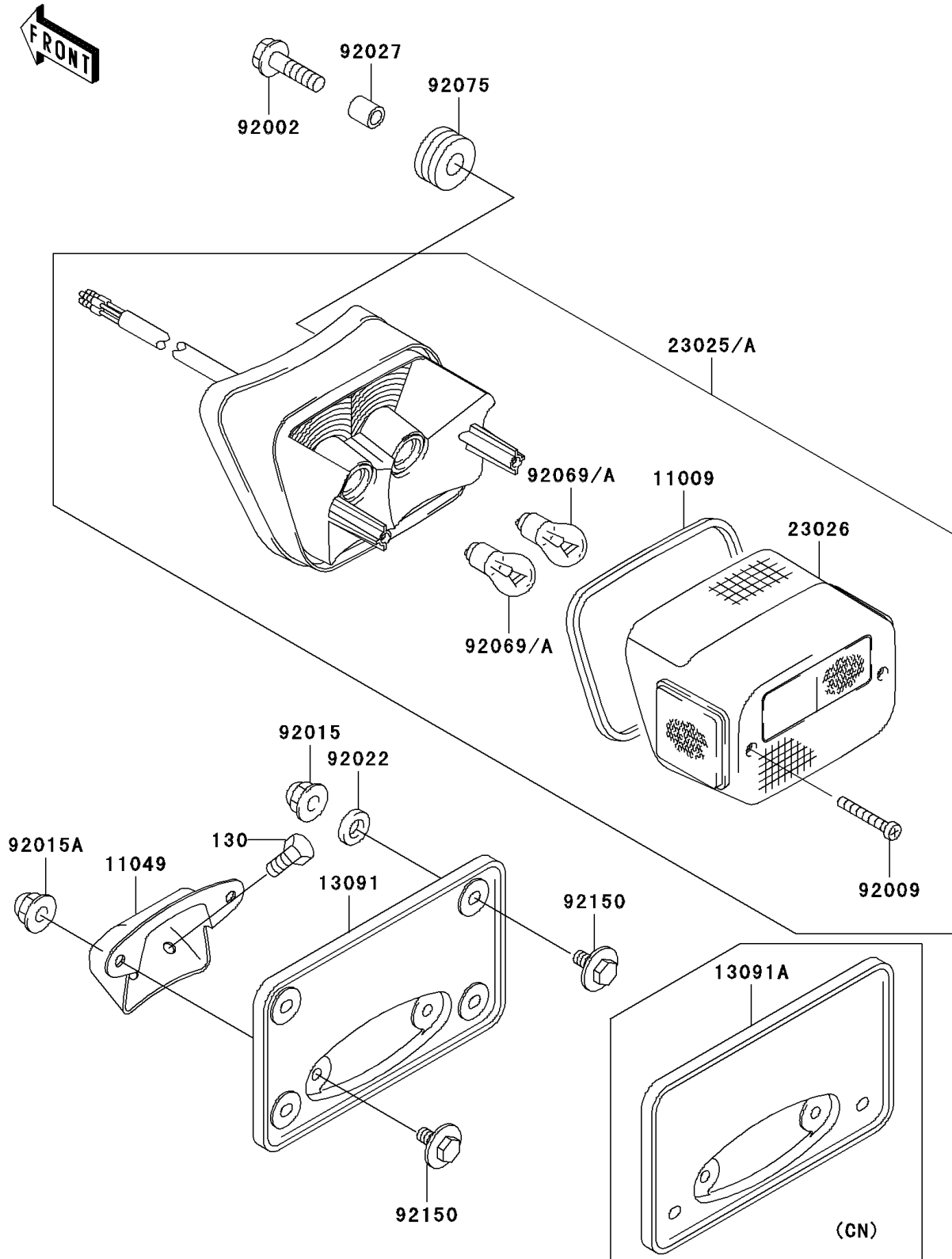


2000 Vulcan 800 Classic

PARTS DIAGRAM

Taillight(s)

F2720



2000 Vulcan 800 Classic

PARTS LIST

Taillight(s)

ITEM NAME	PART NUMBER	QUANTITY
-----------	-------------	----------
