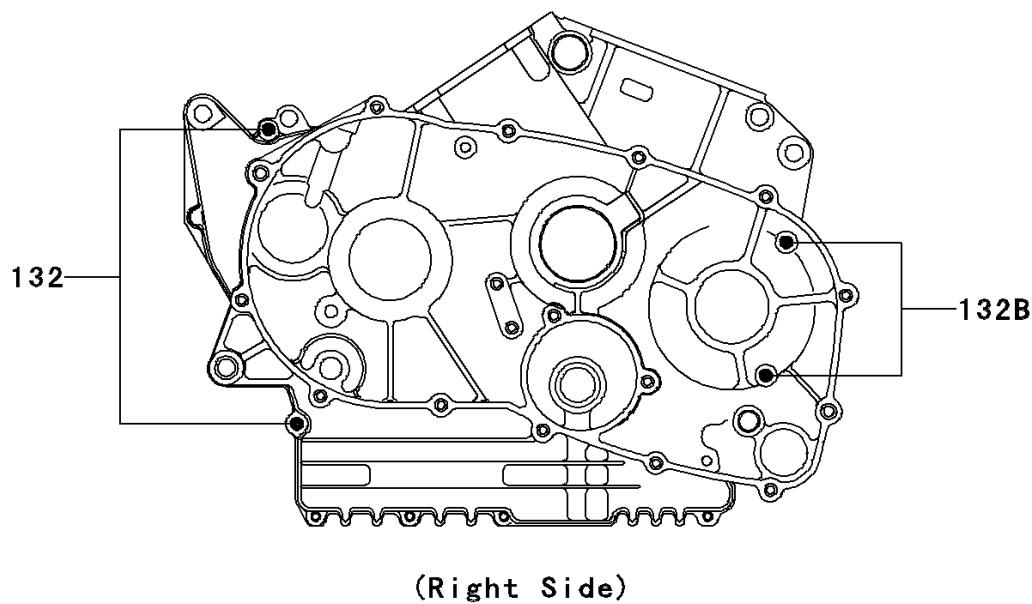
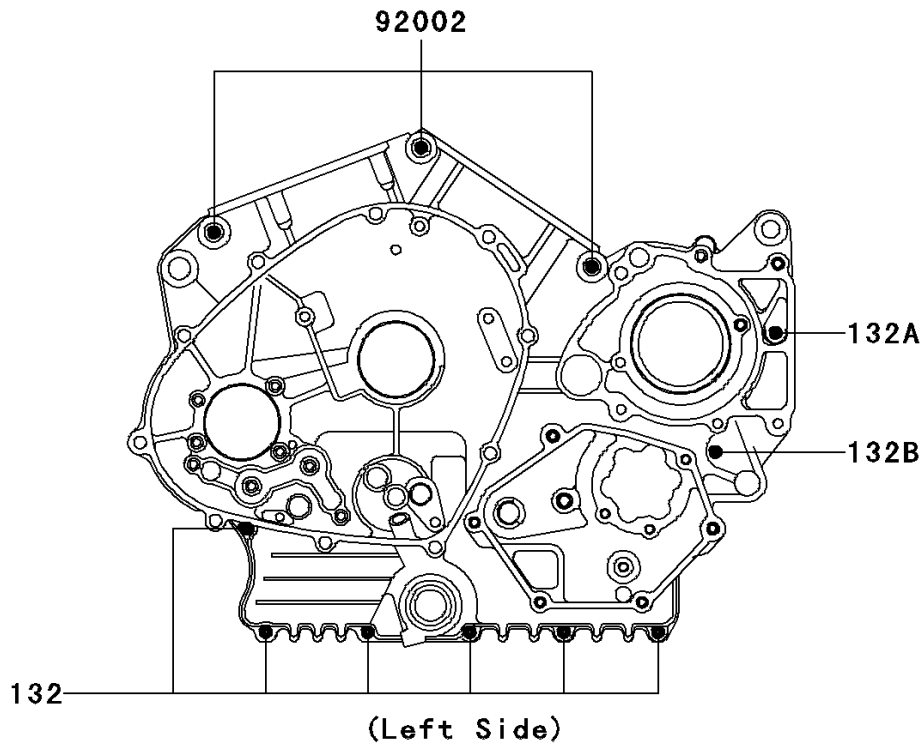


2000 Vulcan 800 Classic

PARTS DIAGRAM

Crankcase Bolt Pattern

E1412



2000 Vulcan 800 Classic

PARTS LIST

Crankcase Bolt Pattern

ITEM NAME

PART NUMBER

QUANTITY
