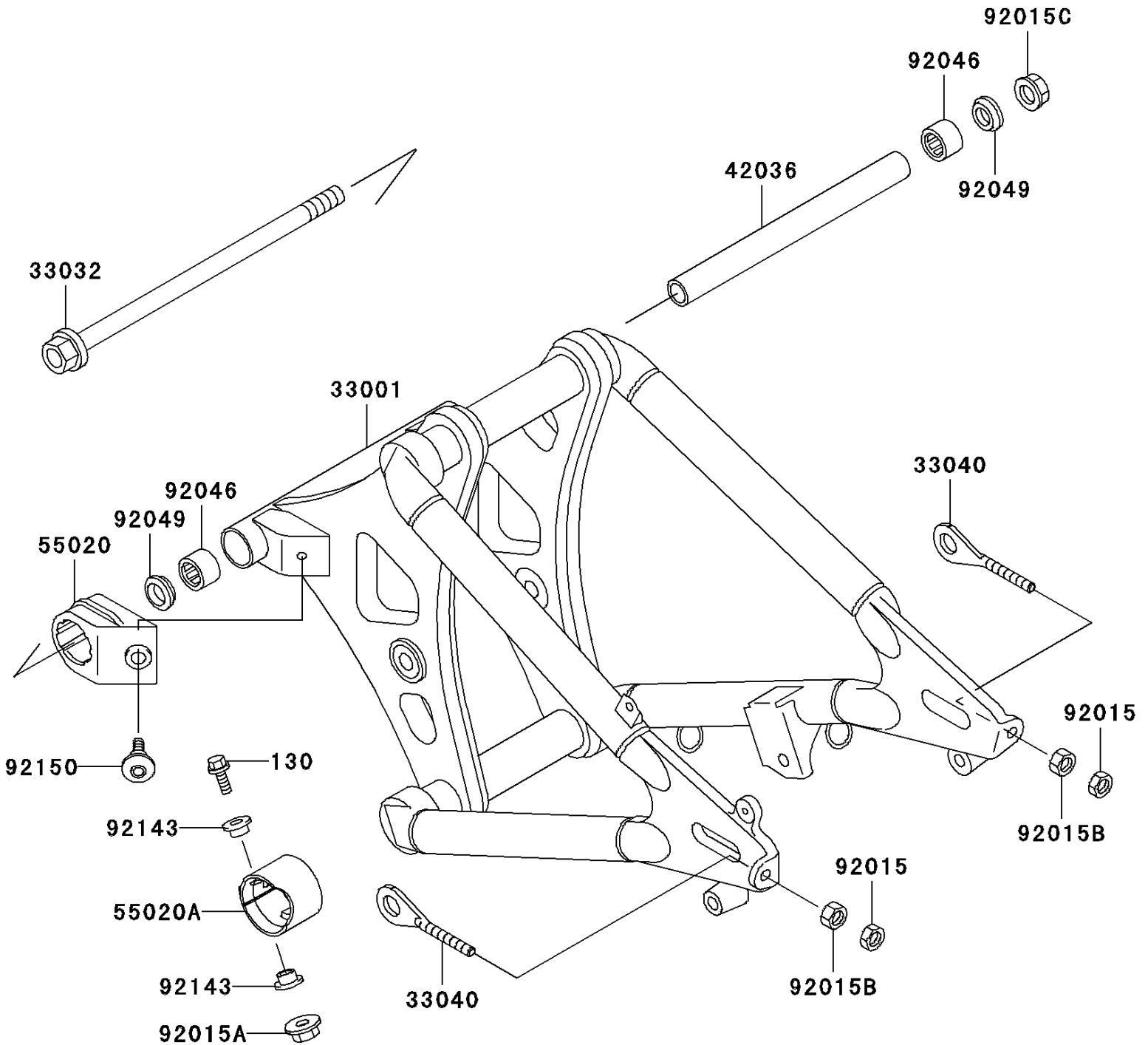


2003 Vulcan 800

PARTS DIAGRAM

Swingarm

F2141



2003 Vulcan 800

PARTS LIST

Swingarm

| ITEM NAME | PART NUMBER | QUANTITY |
|--------------------------------------|-------------|----------|
| BOLT-FLANGED,6X25 (Ref # 130) | 130J0625 | 1 |
| ARM-COMP-SWING (Ref # 33001) | 33001-1509 | 1 |
| SHAFT-SWING ARM (Ref # 33032) | 33032-1177 | 1 |
| ADJUSTER-CHAIN (Ref # 33040) | 33040-1146 | 2 |
| SLEEVE,SWING ARM,L=243 (Ref # 42036) | 42036-1324 | 1 |
| GUARD,CHAIN PIVOT (Ref # 55020) | 55020-1530 | 1 |
| GUARD,CHAIN CLOSS (Ref # 55020A) | 55020-1531 | 1 |
| NUT,8MM (Ref # 92015) | 92015-1364 | 2 |
| NUT,LOCK,FLANGED,6MM (Ref # 92015A) | 92015-1603 | 1 |
| NUT,8MM (Ref # 92015B) | 92015-1658 | 2 |
| NUT,FLANGED,16MM (Ref # 92015C) | 92015-1946 | 1 |
| BEARING-NEEDLE,TA2230Z (Ref # 92046) | 92046-1174 | 2 |
| SEAL-OIL,MHA22X29X5.7F (Ref # 92049) | 92049-1289 | 2 |
| COLLAR,L=6.6 (Ref # 92143) | 92143-1088 | 2 |
| BOLT,SOCKET,6MM (Ref # 92150) | 92150-1154 | 1 |