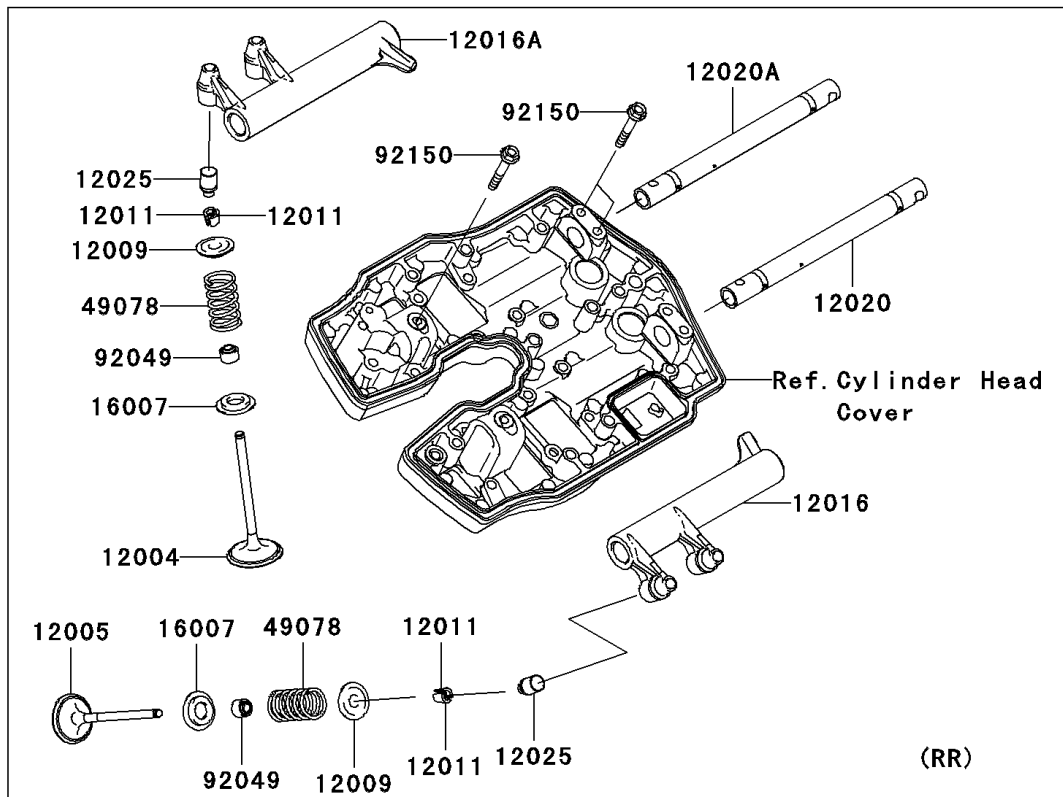
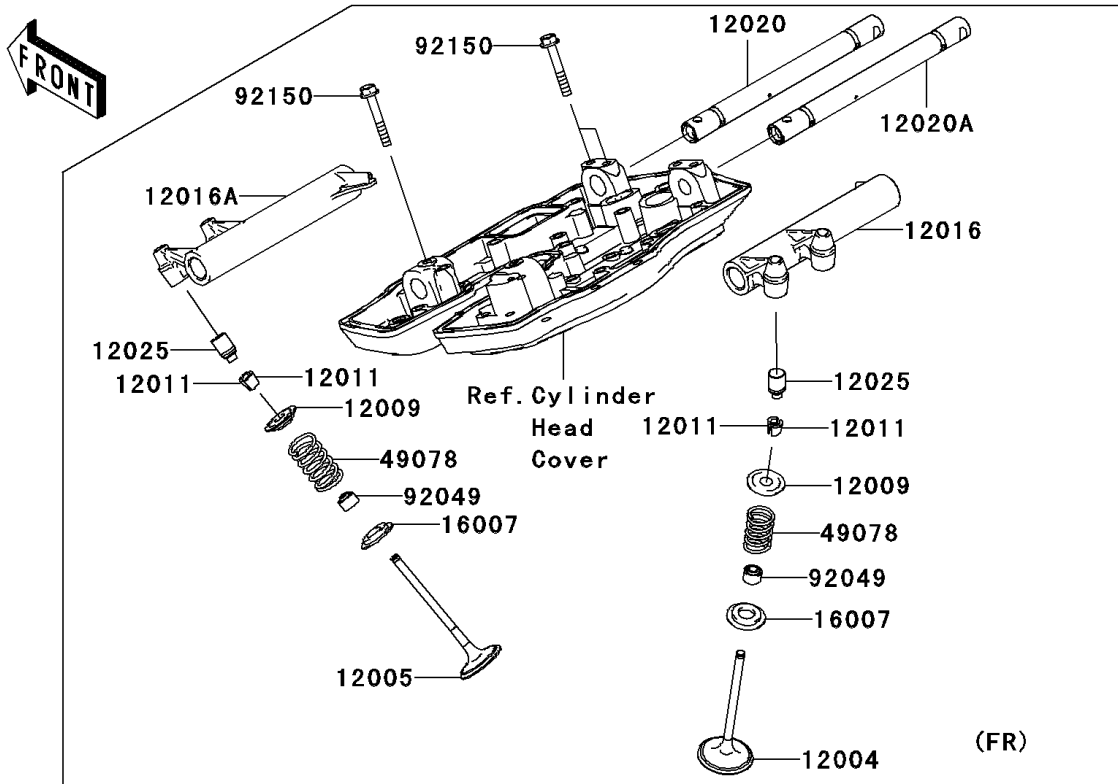


2009 Vulcan® 2000 Classic LT

PARTS DIAGRAM

Valve(s)

E1210



2009 Vulcan® 2000 Classic LT

PARTS LIST

Valve(s)

ITEM NAME

PART NUMBER

QUANTITY
