

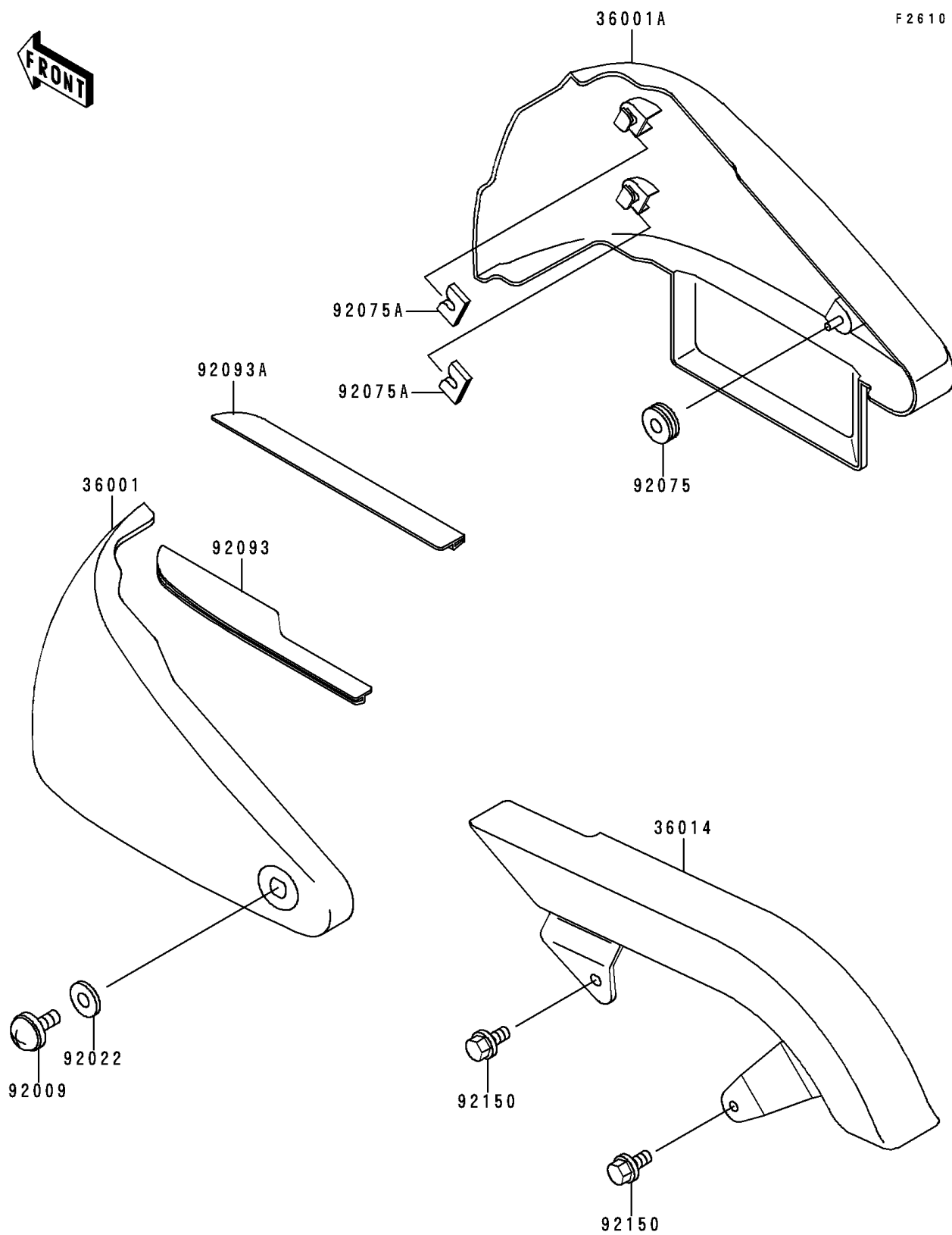
# 1995 Vulcan 800

## PARTS DIAGRAM

### Side Covers/Chain Cover

**Kawasaki**

Let the Good Times Roll®



# 1995 Vulcan 800

## PARTS LIST

### Side Covers/Chain Cover

**ITEM NAME**

**PART NUMBER**

**QUANTITY**

---