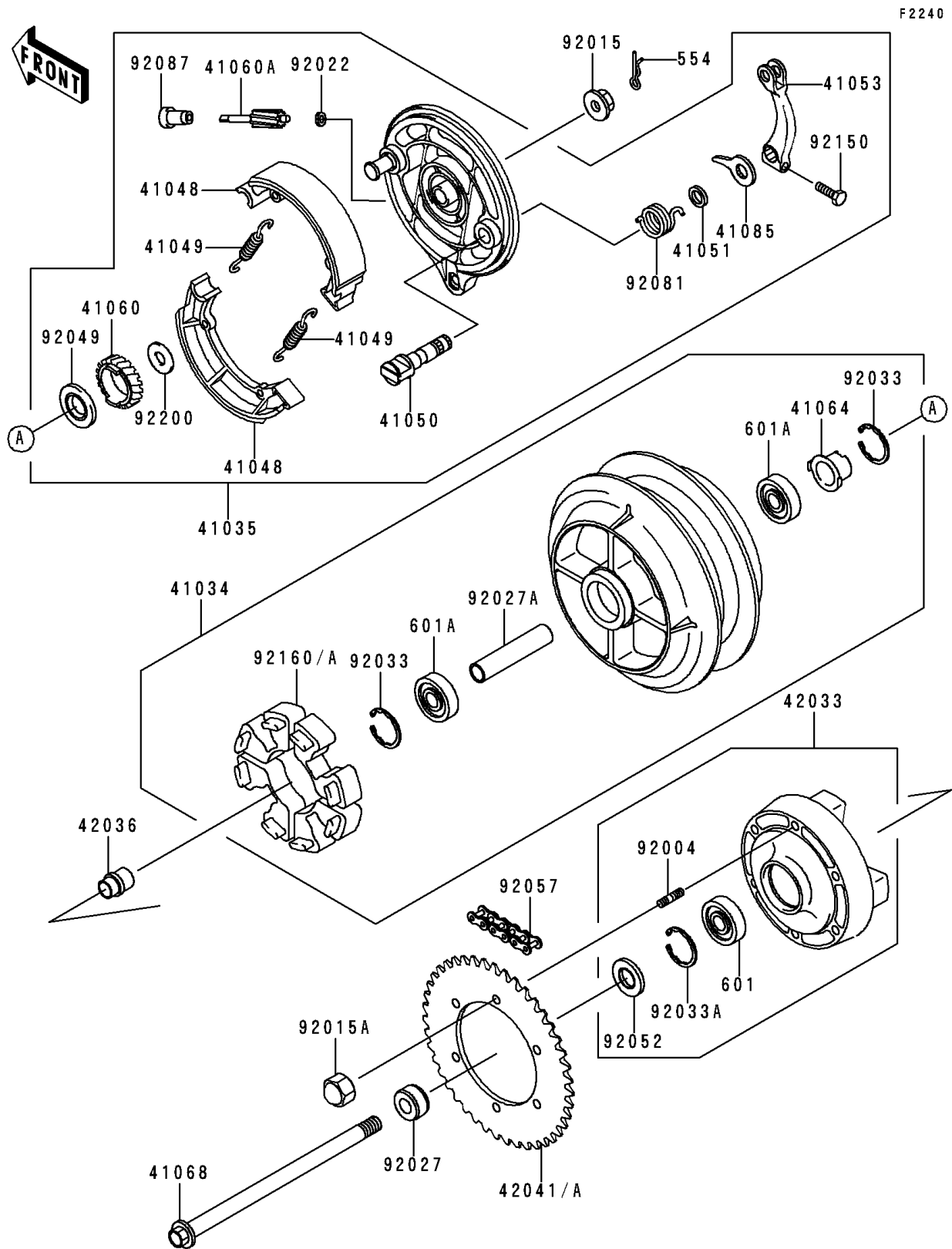


1996 Vulcan 800

PARTS DIAGRAM

Rear Wheel/Chain



1996 Vulcan 800

PARTS LIST

Rear Wheel/Chain

ITEM NAME

PART NUMBER

QUANTITY
