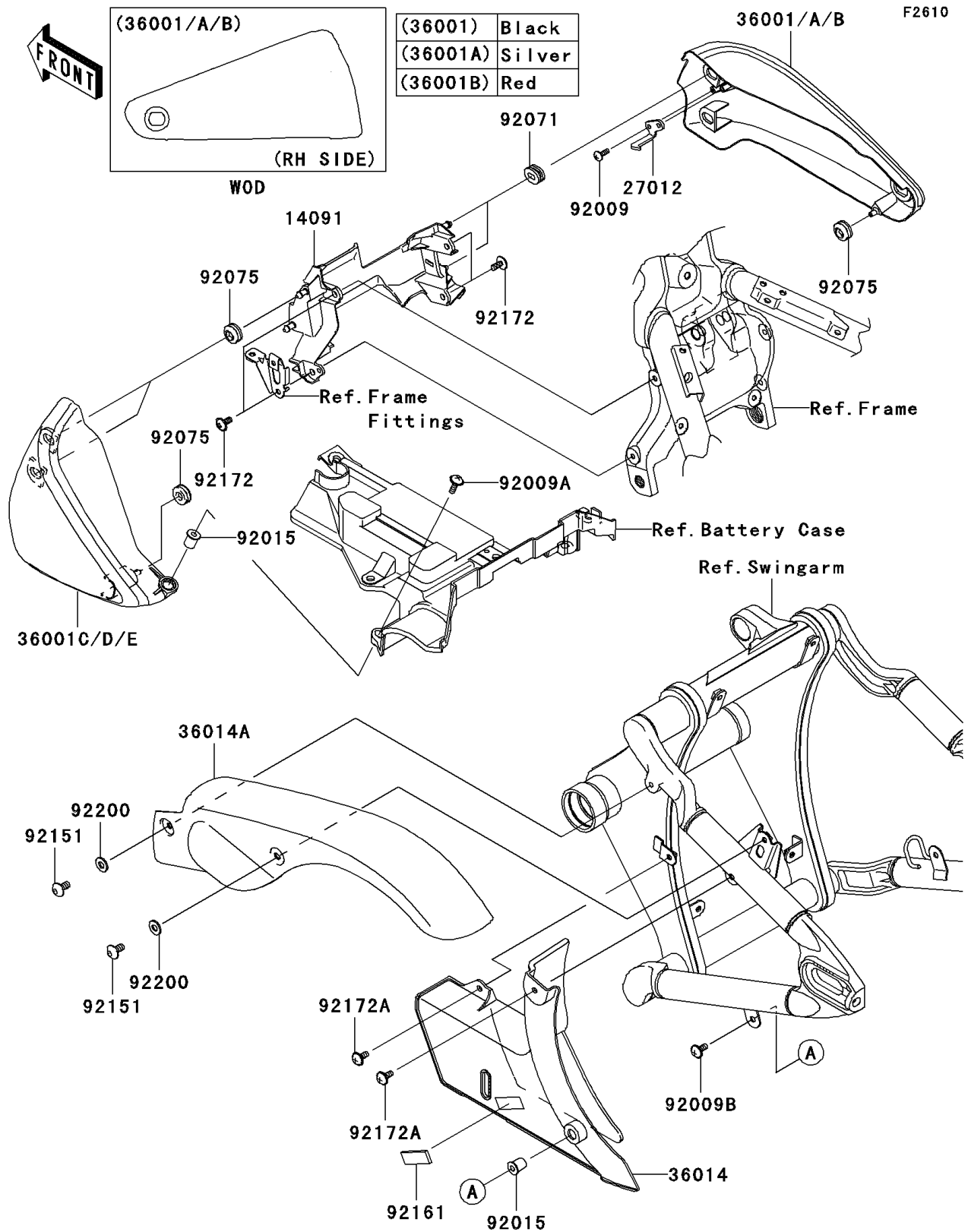


2008 Vulcan® 2000 Classic

PARTS DIAGRAM

Side Covers/Chain Cover



2008 Vulcan® 2000 Classic

PARTS LIST

Side Covers/Chain Cover

ITEM NAME	PART NUMBER	QUANTITY
-----------	-------------	----------
