

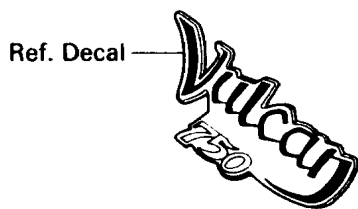
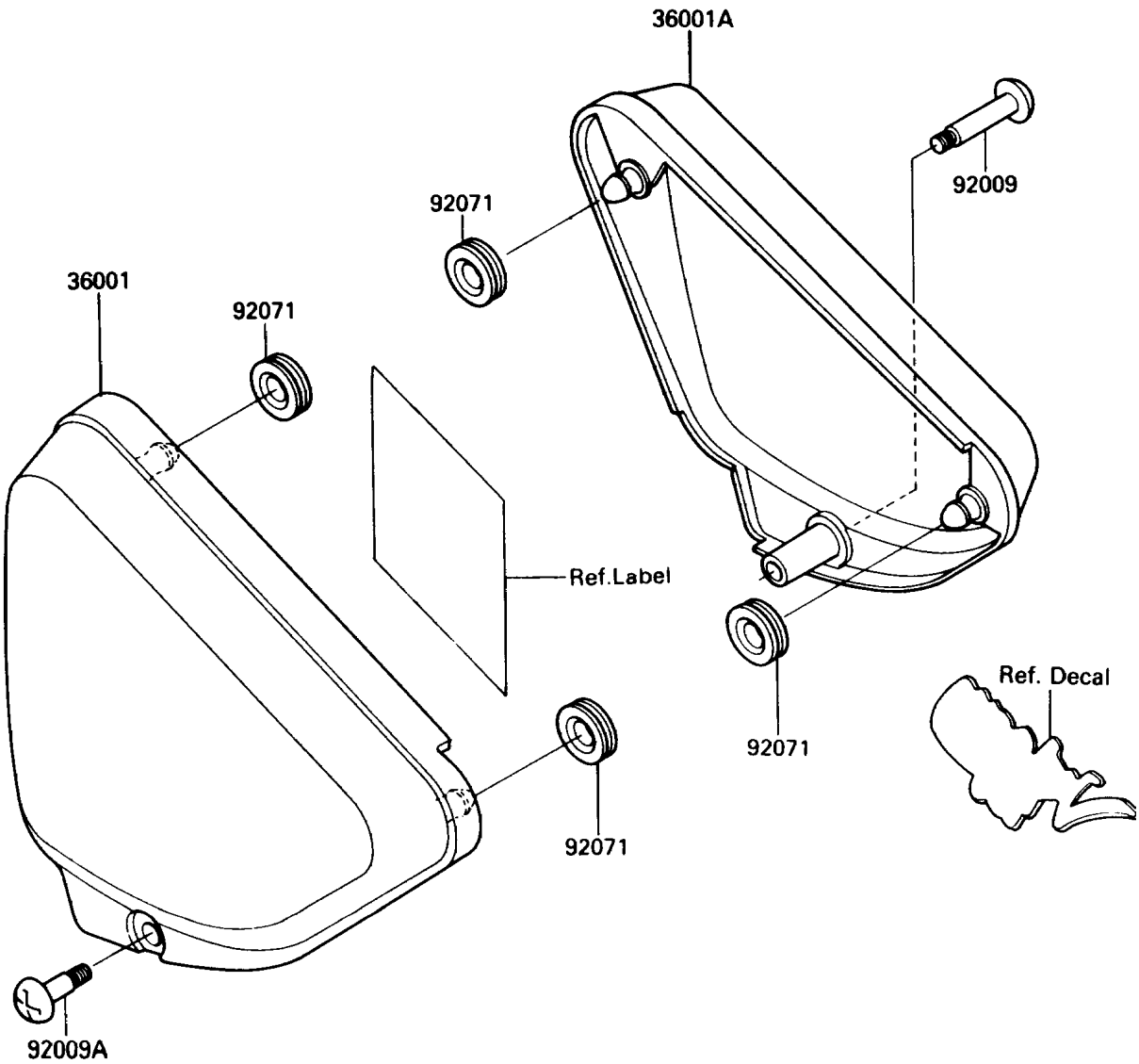
# 1991 Vulcan 750

## PARTS DIAGRAM

### Side Cover



F2611



# 1991 Vulcan 750

## PARTS LIST

### Side Cover

**ITEM NAME**

**PART NUMBER**

**QUANTITY**

---