

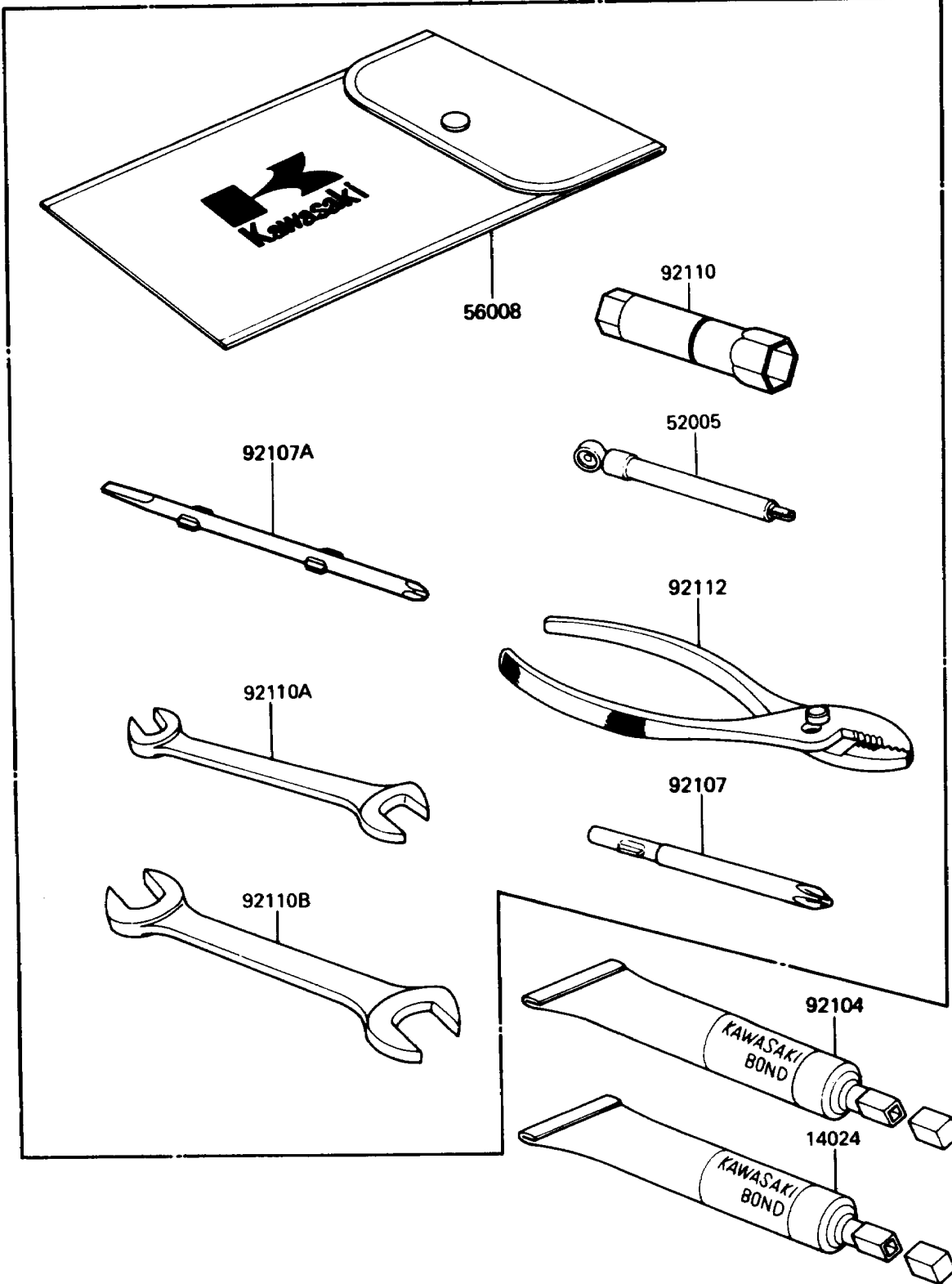
# 1986 Vulcan 750

## PARTS DIAGRAM

### Owner's Tools

56007

F2810-0209



# 1986 Vulcan 750

## PARTS LIST

### Owner's Tools

ITEM NAME	PART NUMBER	QUANTITY
THREE BOND TB1211,HT/RS,WHITE (Ref # 14024)	56019-120	1
GAUGE,AIR,3.5KG/CM2 (Ref # 52005)	52005-1031	1
TOOLKIT (Ref # 56007)	56007-1225	1
BAG,TOOL (Ref # 56008)	56008-1007	1
GASKET-LIQUID,TUBE,100G,SILVER (Ref # 92104)	92104-002	1
TOOL-DRIVER,#3PHILLIPS (Ref # 92107)	92107-005	1
TOOL-DRIVER,#2PHILLIPS&SLOT (Ref # 92107A)	92107-1051	1
TOOL-WRENCH,BOX,18MM (Ref # 92110)	92110-1111	1
TOOL-WRENCH,OPEN END,10X12 (Ref # 92110A)	92110-1117	1
TOOL-WRENCH,OPEN END,14X17 (Ref # 92110B)	92126-003	1
TOOL-PLIERS (Ref # 92112)	92112-003	1