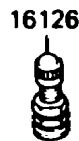
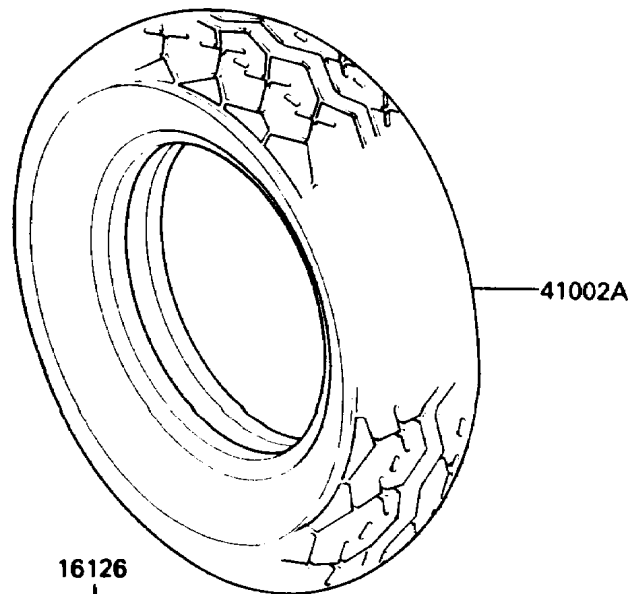
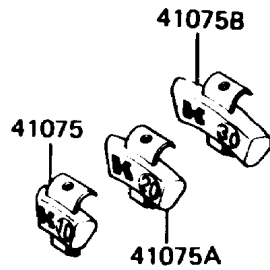
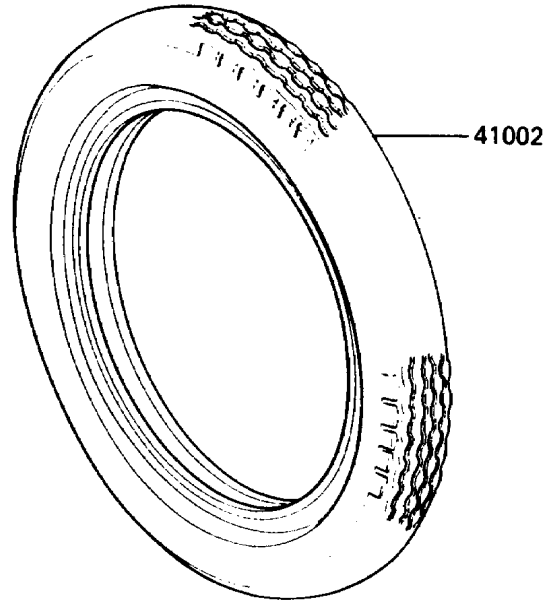
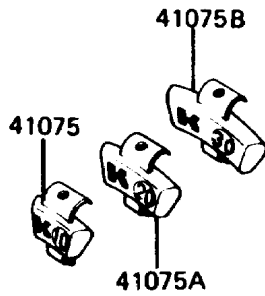


# 1986 Vulcan 750

## PARTS DIAGRAM

### Tires

F2210-0130



# 1986 Vulcan 750

## PARTS LIST

### Tires

ITEM NAME	PART NUMBER	QUANTITY
VALVE,TIRE (Ref # 16126)	16126-1136	2
TIRE,FR,100/90-19 57H,F11A(D) (Ref # 41002)	41002-1531	1
TIRE,RR,150/90-15 74H,K425(D) (Ref # 41002A)	41002-1532	1
BALANCER-WHEEL,10G,SILVER (Ref # 41075)	41075-1014	AR
BALANCER-WHEEL,20G,SILVER (Ref # 41075A)	41075-1015	AR
BALANCER-WHEEL,30G,SILVER (Ref # 41075B)	41075-1016	AR