

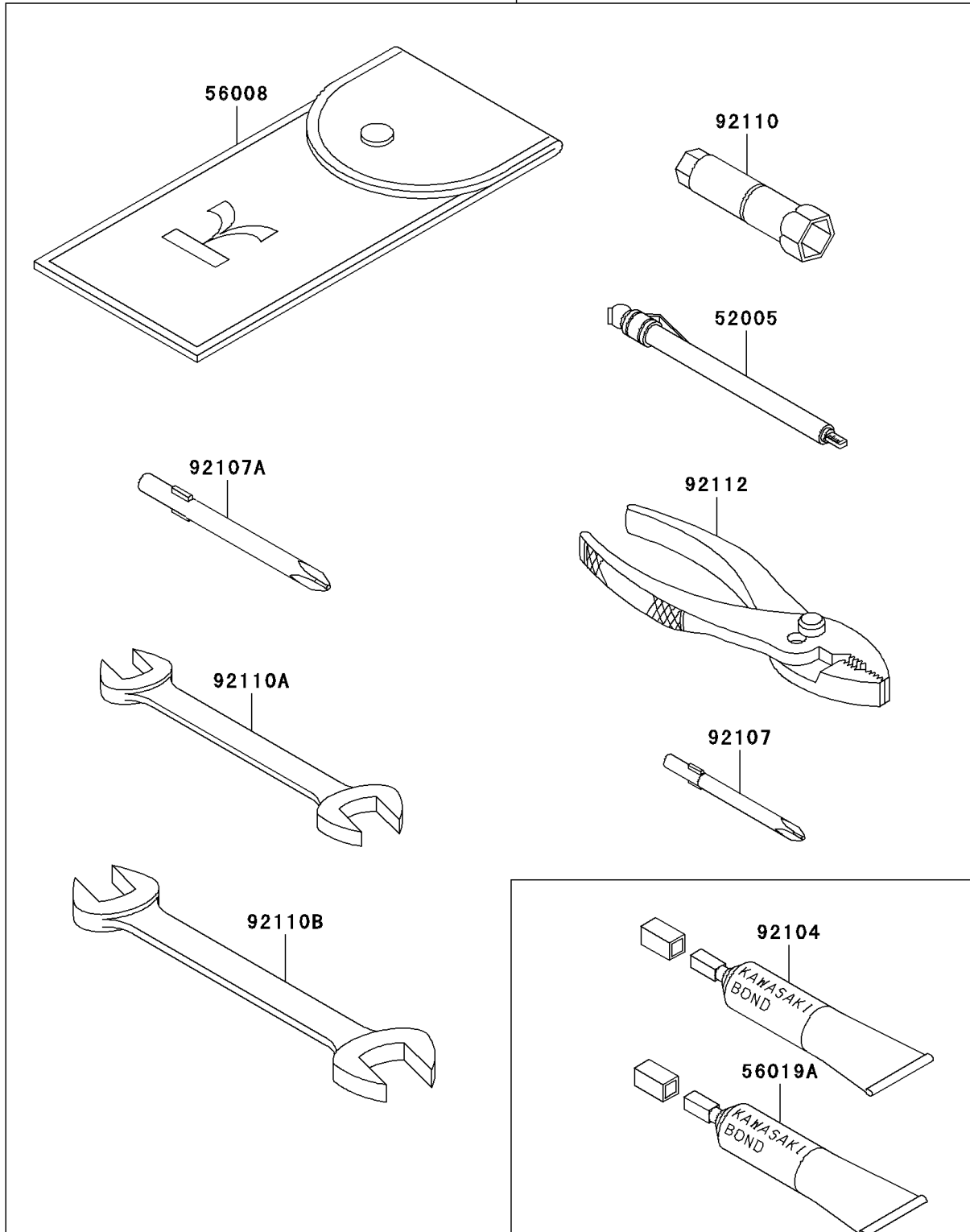
# 2002 Vulcan 750

## PARTS DIAGRAM

### Owner's Tools

56007

F2810



# 2002 Vulcan 750

## PARTS LIST

### Owner's Tools

**ITEM NAME**

**PART NUMBER**

**QUANTITY**

---