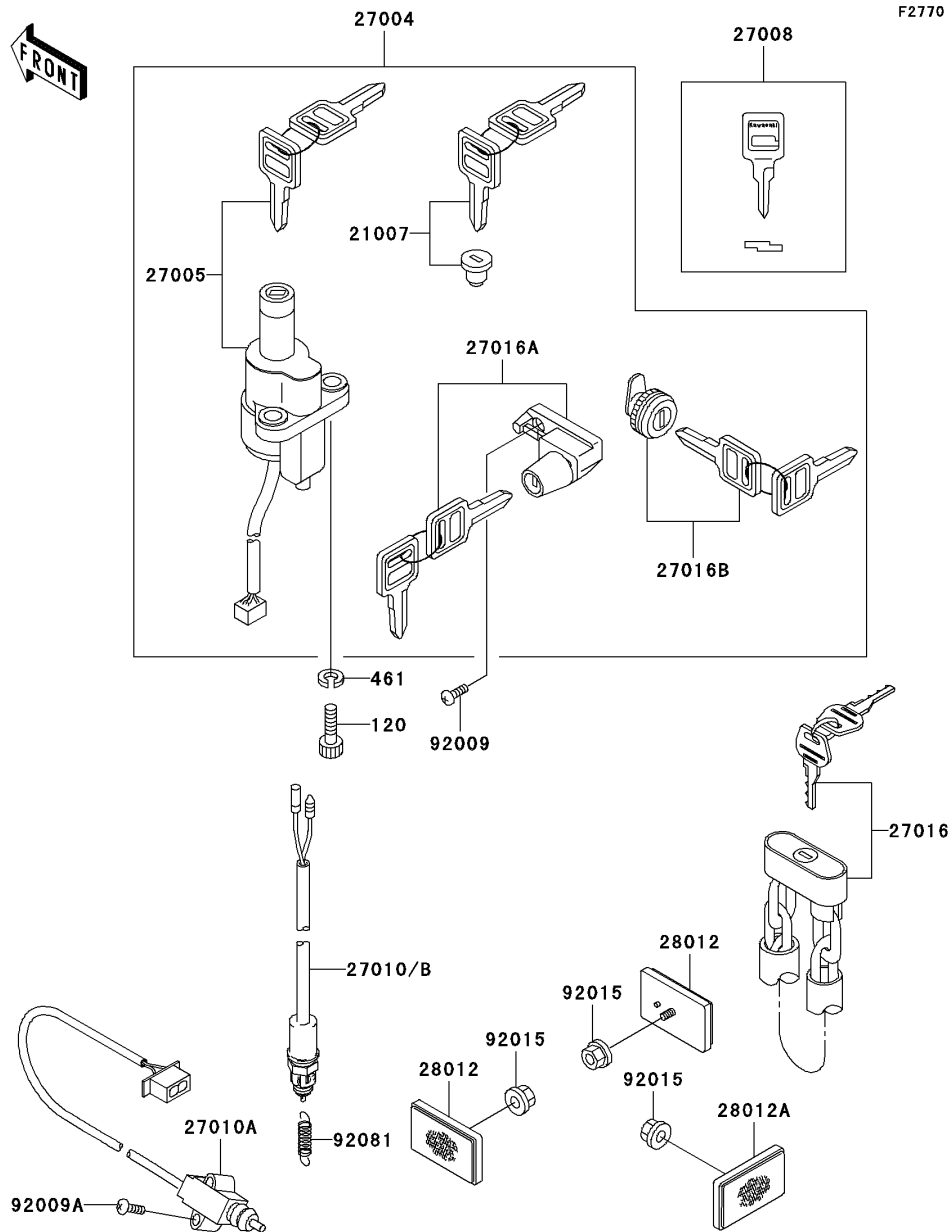


# 1999 Vulcan 750

## PARTS DIAGRAM

### Ignition Switch/Locks/Reflectors



# 1999 Vulcan 750

## PARTS LIST

### Ignition Switch/Locks/Reflectors

ITEM NAME	PART NUMBER	QUANTITY
BOLT-SOCKET (Ref # 120)	120T0822	2
WASHER-SPRING (Ref # 461)	461L0800	2
ROTOR,LOCK,TANK CAP (Ref # 21007)	21007-5005	1
SWITCH-ASSY (Ref # 27004)	27004-5270	1
SWITCH-ASSY-IGNITION (Ref # 27005)	27005-5052	1
KEY-LOCK,BLANK (Ref # 27008)	27008-1103	1
SWITCH,BRAKE LAMP (Ref # 27010)	27010-1181	1
SWITCH,SIDE STAND (Ref # 27010A)	27010-1189	1
LOCK-ASSY,WHEEL (Ref # 27016)	27016-1051	1
LOCK-ASSY,HELMET (Ref # 27016A)	27016-5060	2
LOCK-ASSY (Ref # 27016B)	27016-5081	1
REFLECTOR-REFLEX,FR (Ref # 28012)	28012-1009	2
REFLECTOR-REFLEX,RR (Ref # 28012A)	28012-1051	1
SCREW,5X18 (Ref # 92009)	92009-1305	2
SCREW,5X20 (Ref # 92009A)	92009-1359	2
NUT,FLANGED,5MM (Ref # 92015)	92015-1259	3
SPRING (Ref # 92081)	92081-1544	1