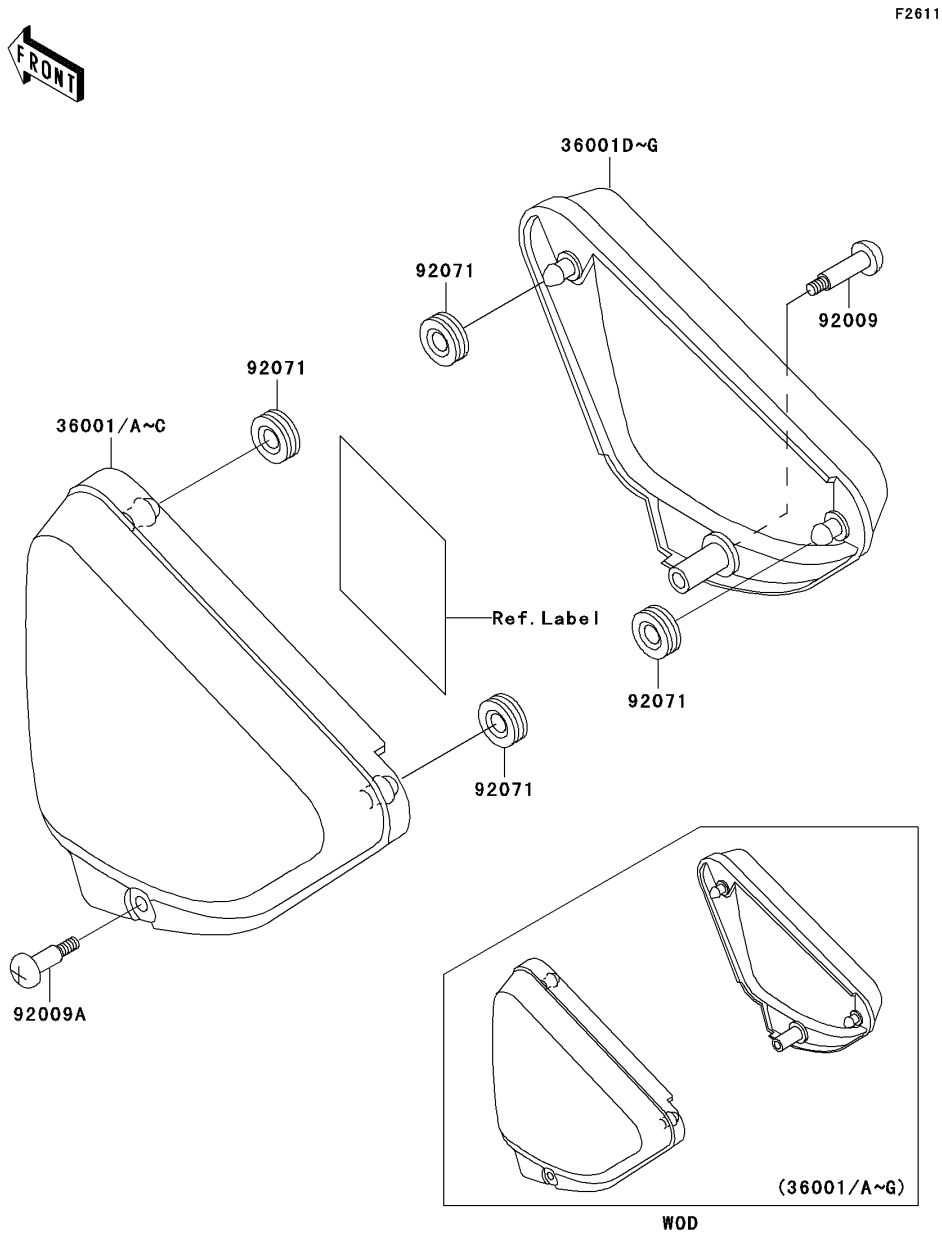


# 2002 Vulcan 750

## PARTS DIAGRAM

### Side Covers



# 2002 Vulcan 750

## PARTS LIST

### Side Covers

**ITEM NAME**

**PART NUMBER**

**QUANTITY**

---