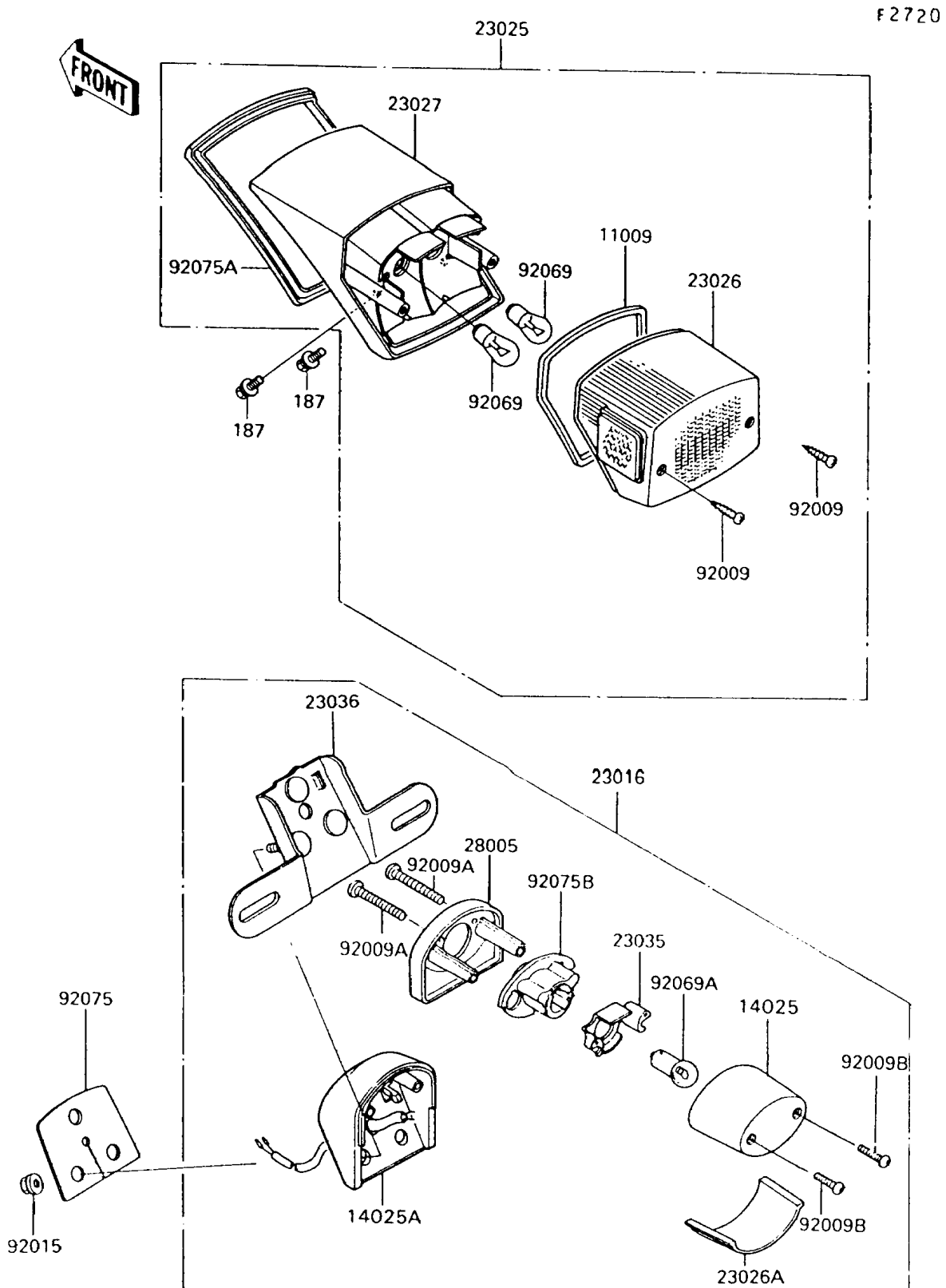


1998 Vulcan 750

PARTS DIAGRAM

Taillight(s)



1998 Vulcan 750

PARTS LIST

Taillight(s)

ITEM NAME

PART NUMBER

QUANTITY
