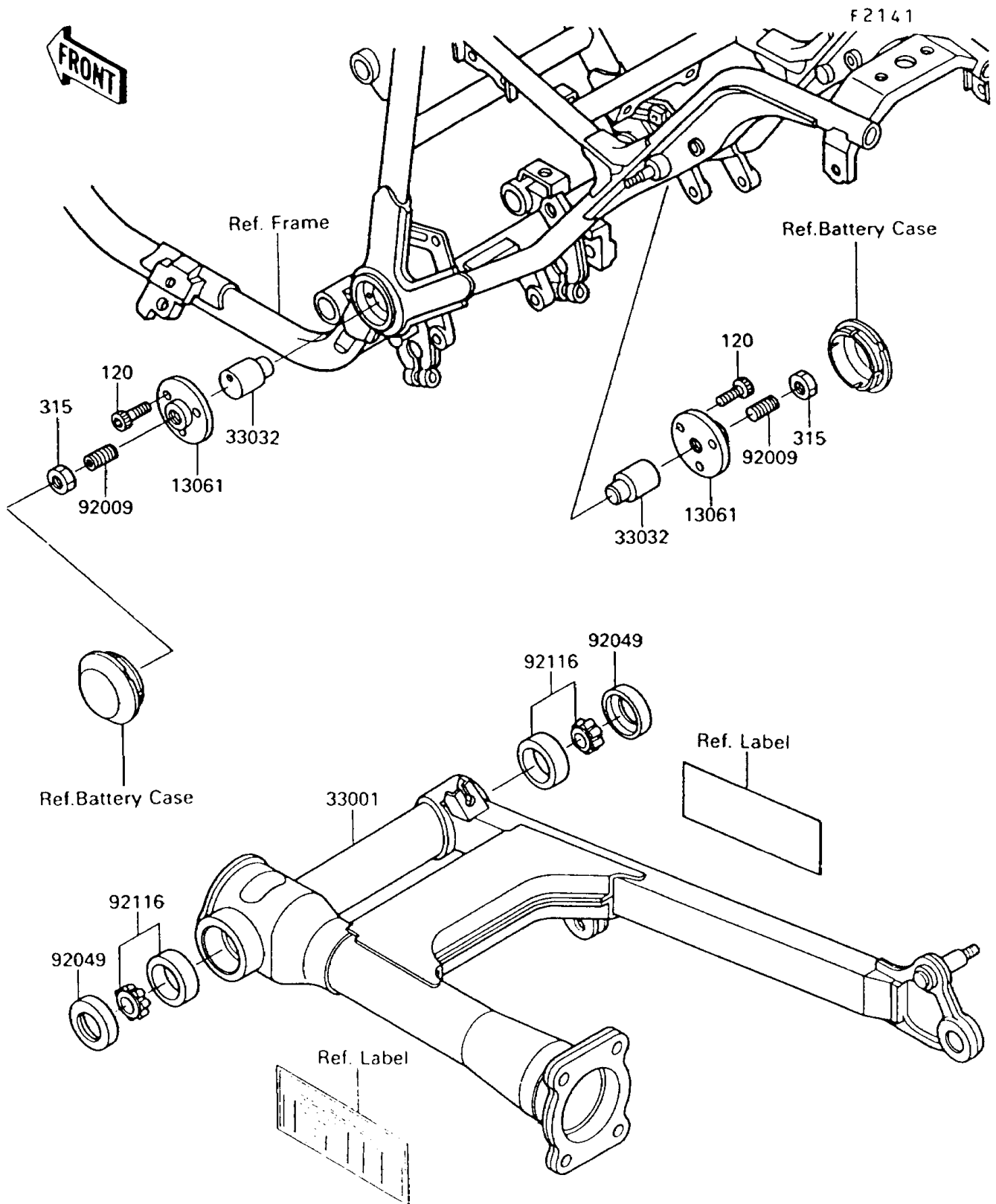


# 1996 Vulcan 750

## PARTS DIAGRAM

### Swingarm



# 1996 Vulcan 750

## PARTS LIST

### Swingarm

**ITEM NAME**

**PART NUMBER**

**QUANTITY**

---