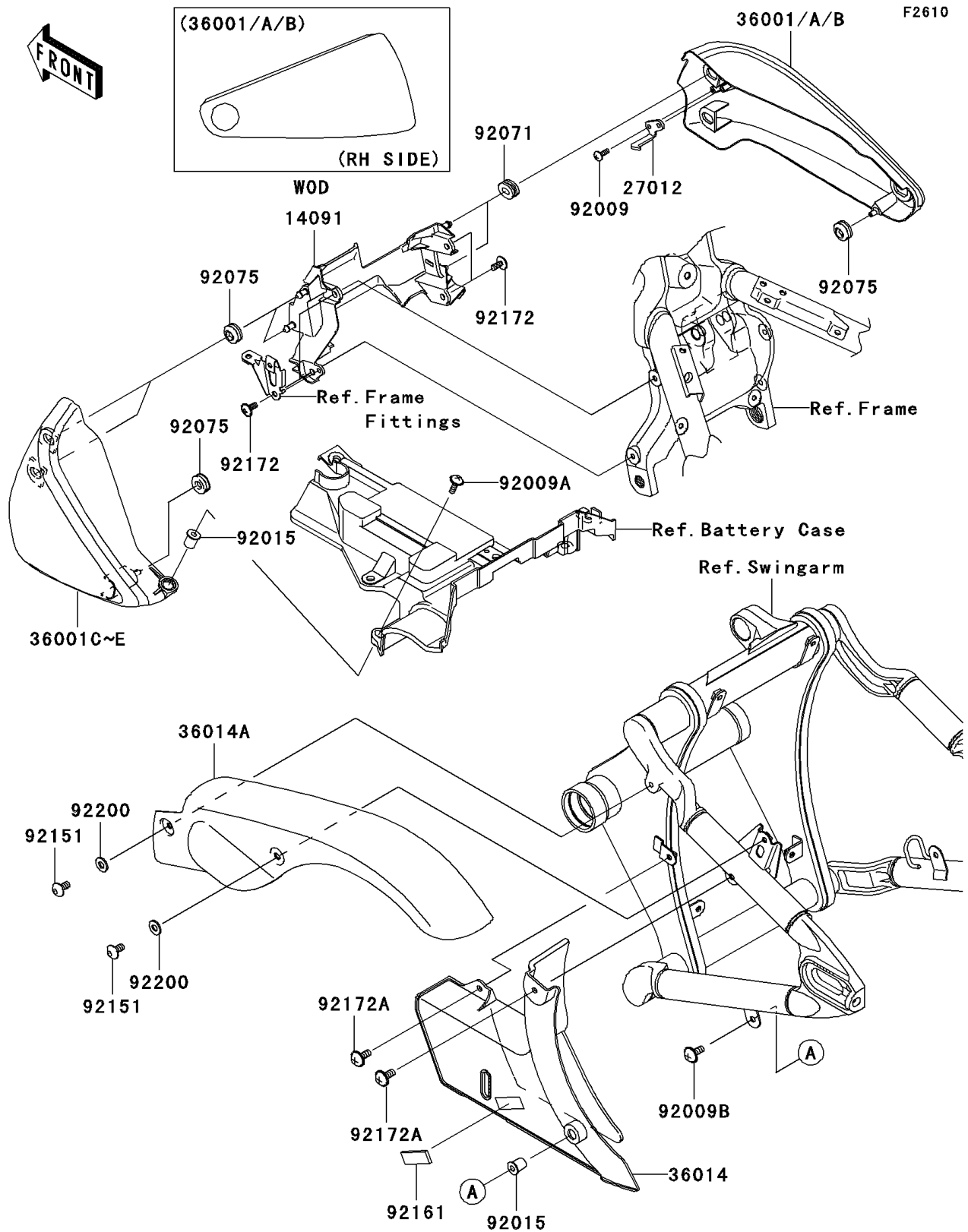


# 2007 Vulcan 2000 Classic LT

## PARTS DIAGRAM

### Side Covers/Chain Cover



# 2007 Vulcan 2000 Classic LT

## PARTS LIST

### Side Covers/Chain Cover

ITEM NAME	PART NUMBER	QUANTITY
-----------	-------------	----------

---