

2006 Vulcan 2000 Classic LT

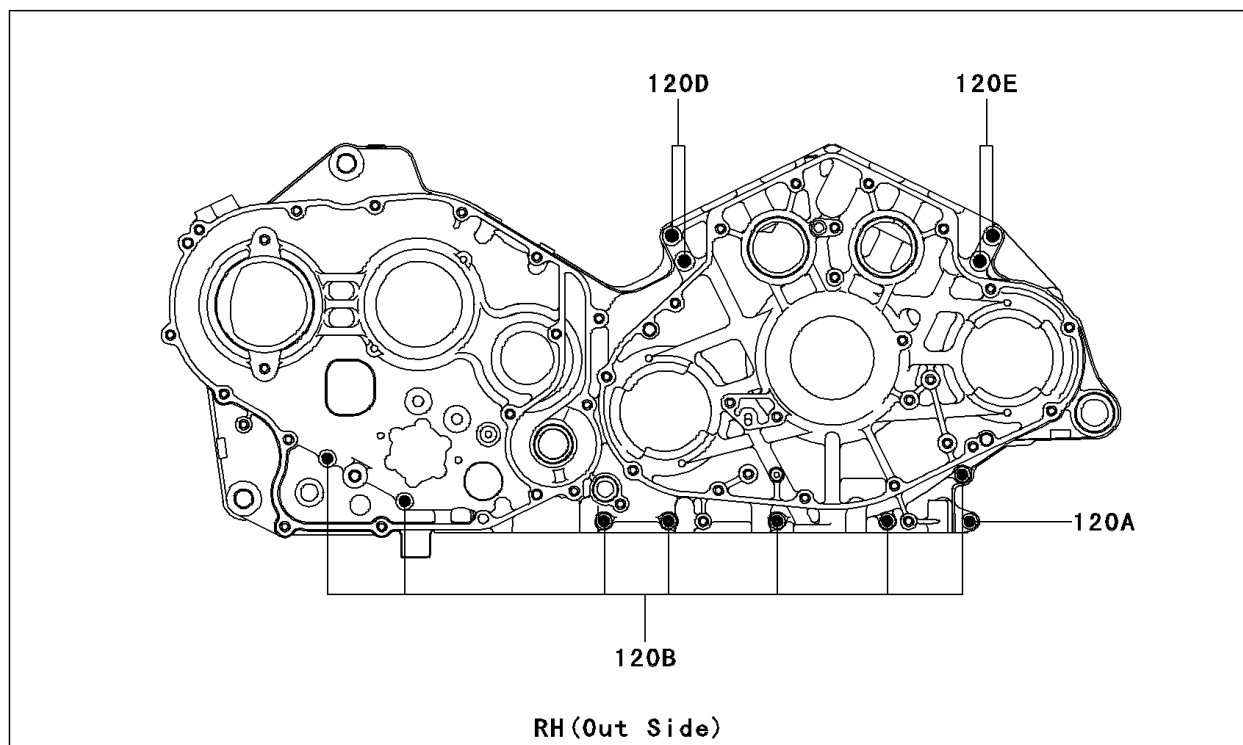
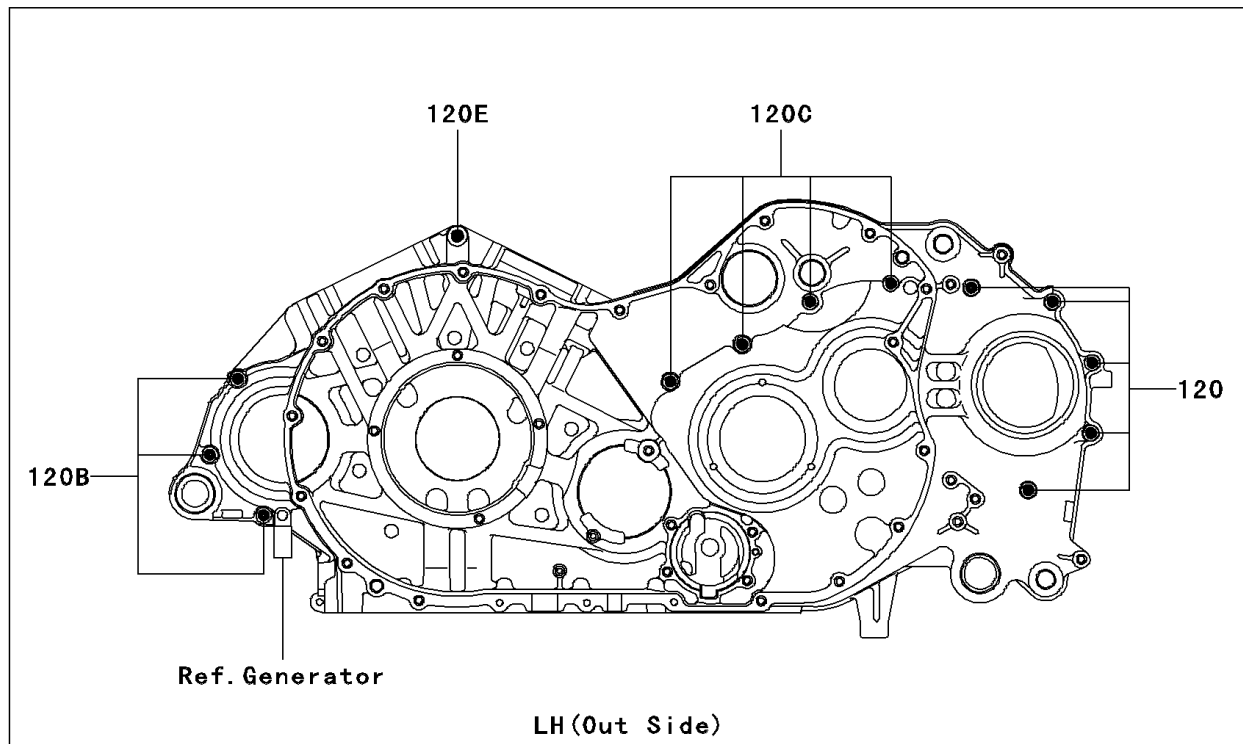
Kawasaki

Let the Good Times Roll®

PARTS DIAGRAM

Crankcase Bolt Pattern

E1412



2006 Vulcan 2000 Classic LT

PARTS LIST

Crankcase Bolt Pattern

ITEM NAME	PART NUMBER	QUANTITY
-----------	-------------	----------
