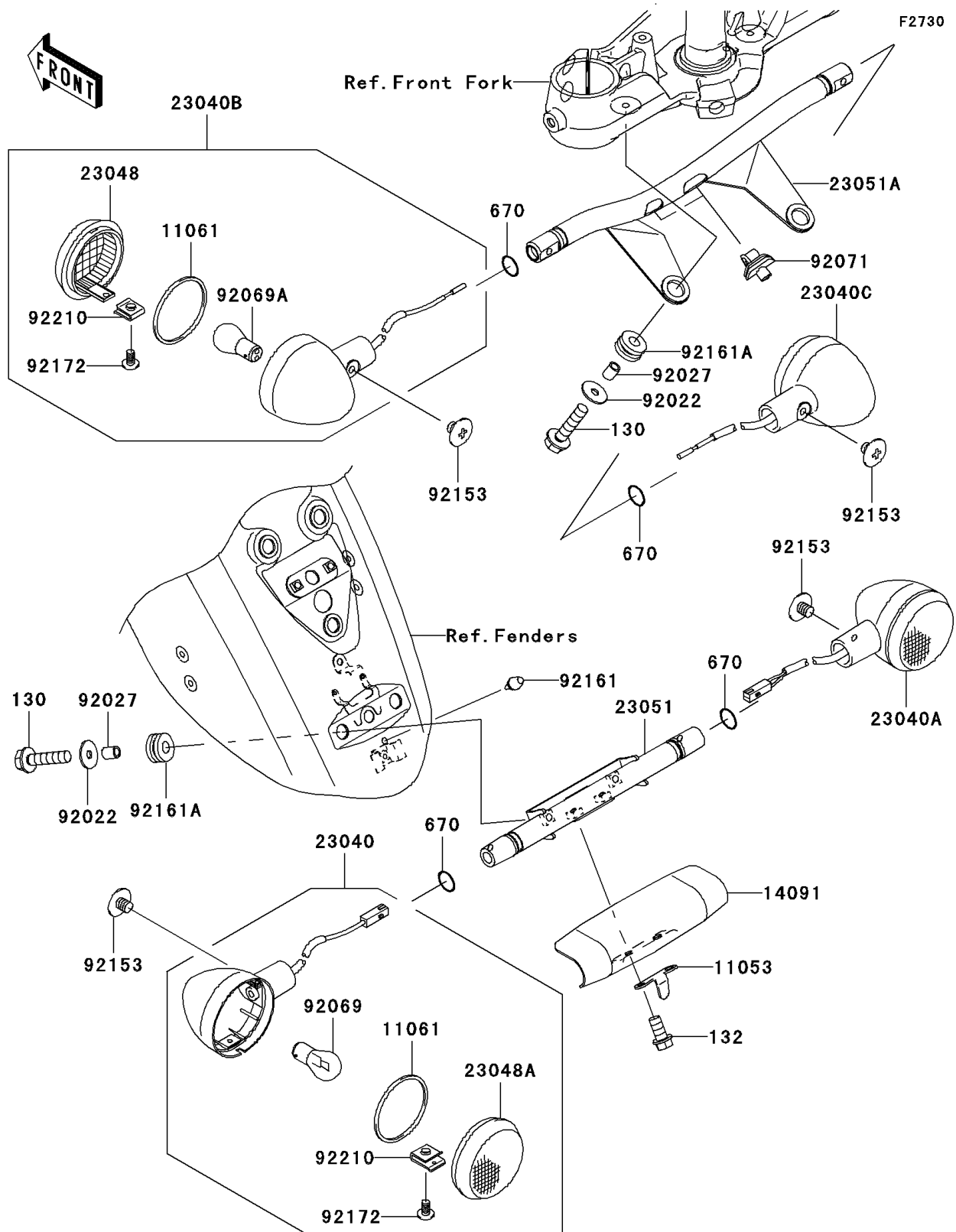


2007 Vulcan 2000 Classic

PARTS DIAGRAM

Turn Signals



2007 Vulcan 2000 Classic

PARTS LIST

Turn Signals

ITEM NAME	PART NUMBER	QUANTITY
BOLT-FLANGED,6X25 (Ref # 130)	130L0625	4
BOLT-FLANGED-SMALL,6X12 (Ref # 132)	132J0612	2
O RING,16MM (Ref # 670)	670B2016	4
BRACKET,REAR SIGNAL LAMP (Ref # 11053)	11053-0929	1
GASKET,SIGNAL LAMP (Ref # 11061)	11061-0005	4
COVER,REAR SIGNAL LAMP (Ref # 14091)	14091-1572	1
LAMP-SIGNAL,RR,LH (Ref # 23040)	23040-0036	1
LAMP-SIGNAL,RR,RH (Ref # 23040A)	23040-0037	1
LAMP-SIGNAL,FR,LH (Ref # 23040B)	23040-0061	1
LAMP-SIGNAL,FR,RH (Ref # 23040C)	23040-0062	1
LENS-SIGNAL LAMP (Ref # 23048)	23048-0001	2
LENS-SIGNAL LAMP (Ref # 23048A)	23048-0002	2
BRACKET-SIGNAL LAMP,RR (Ref # 23051)	23051-0002	1
BRACKET-SIGNAL LAMP,FR (Ref # 23051A)	23051-0014	1
WASHER,7X24X1.6 (Ref # 92022)	92022-1160	4
COLLAR,6.8X10X12 (Ref # 92027)	92027-162	4
BULB,12V 21W (Ref # 92069)		2
BULB,12V 21/5W (Ref # 92069A)	92069-1084	2
GROMMET,SIGNAL LAMP (Ref # 92071)	92071-0007	2
BOLT,6MM (Ref # 92153)	92153-0396	4
DAMPER (Ref # 92161)	92161-0091	1
DAMPER (Ref # 92161A)	92161-0163	4
SCREW,4X8 (Ref # 92172)	92172-0146	4
NUT,4MM (Ref # 92210)	92210-0155	4