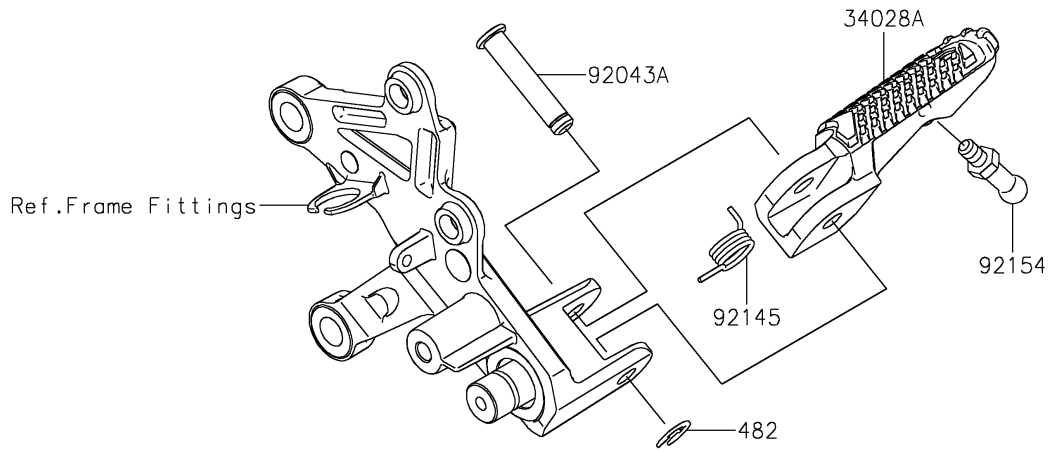


# 2023 Ninja H2®

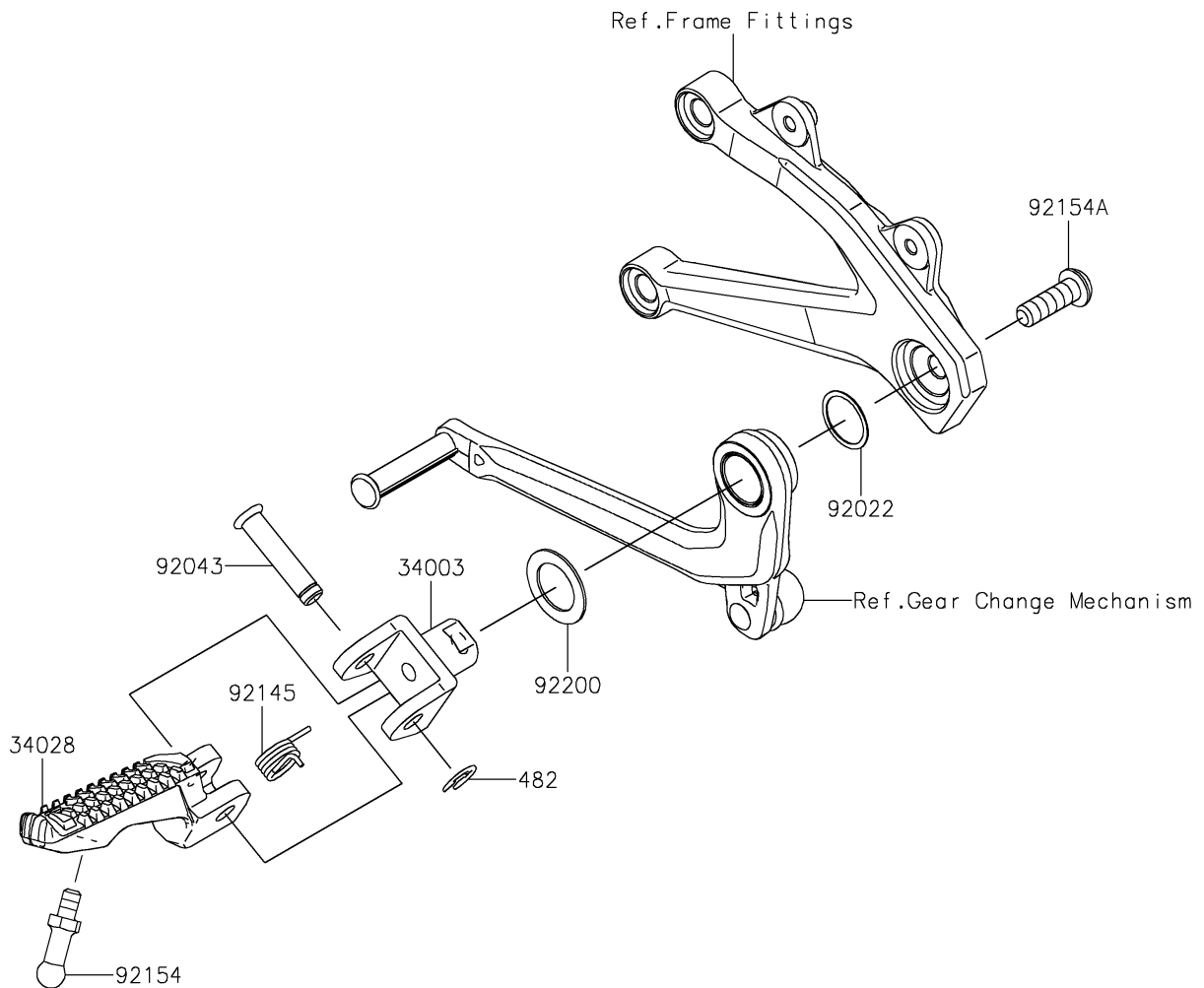
## PARTS DIAGRAM

### Footrests

F2160



Ref. Frame Fittings



# 2023 Ninja H2®

## PARTS LIST

### Footrests

**ITEM NAME**

**PART NUMBER**

**QUANTITY**

---