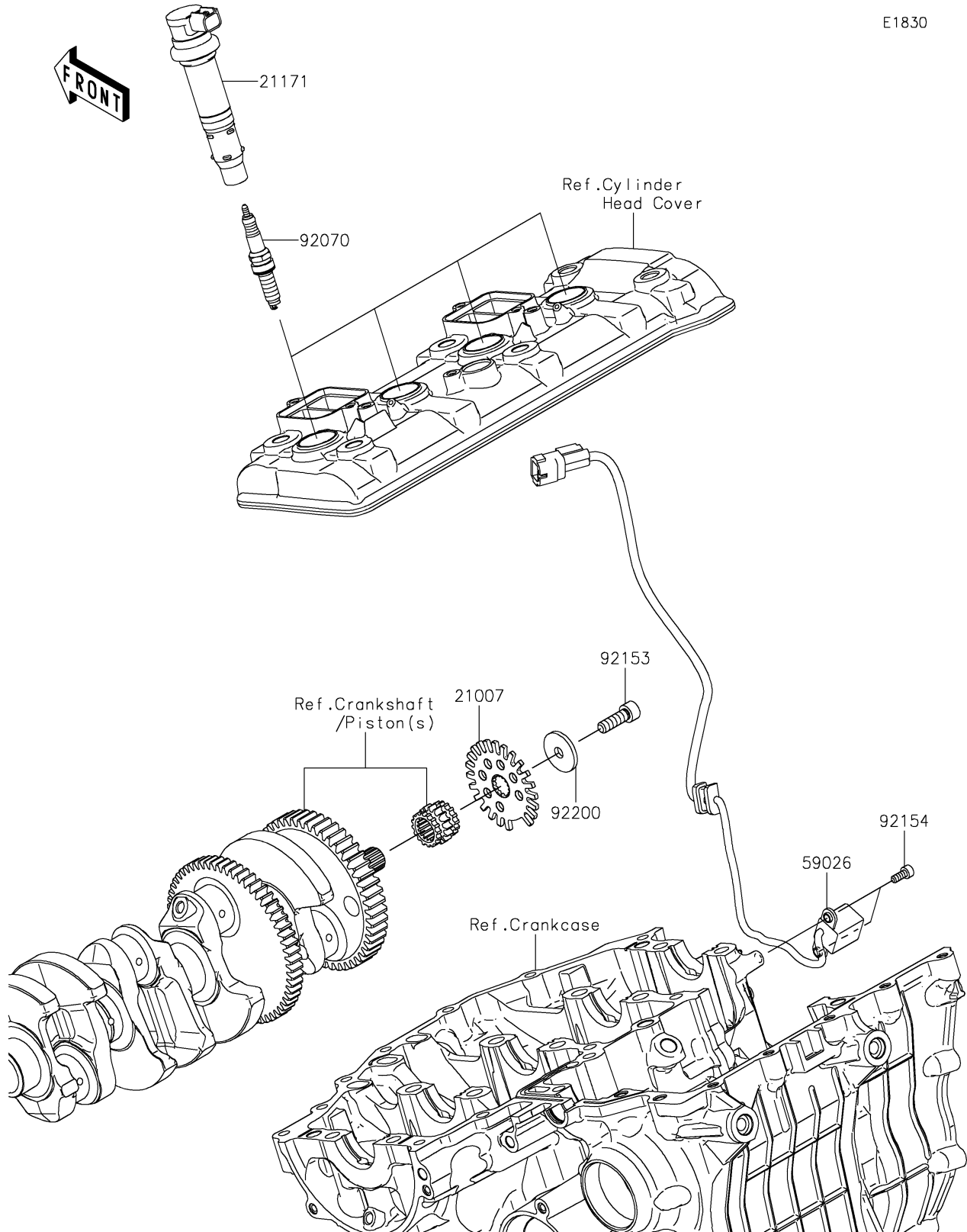


# 2023 Ninja H2<sup>®</sup>

## PARTS DIAGRAM

### Ignition System

E1830



# 2023 Ninja H2®

## PARTS LIST

### Ignition System

**ITEM NAME**

**PART NUMBER**

**QUANTITY**

---