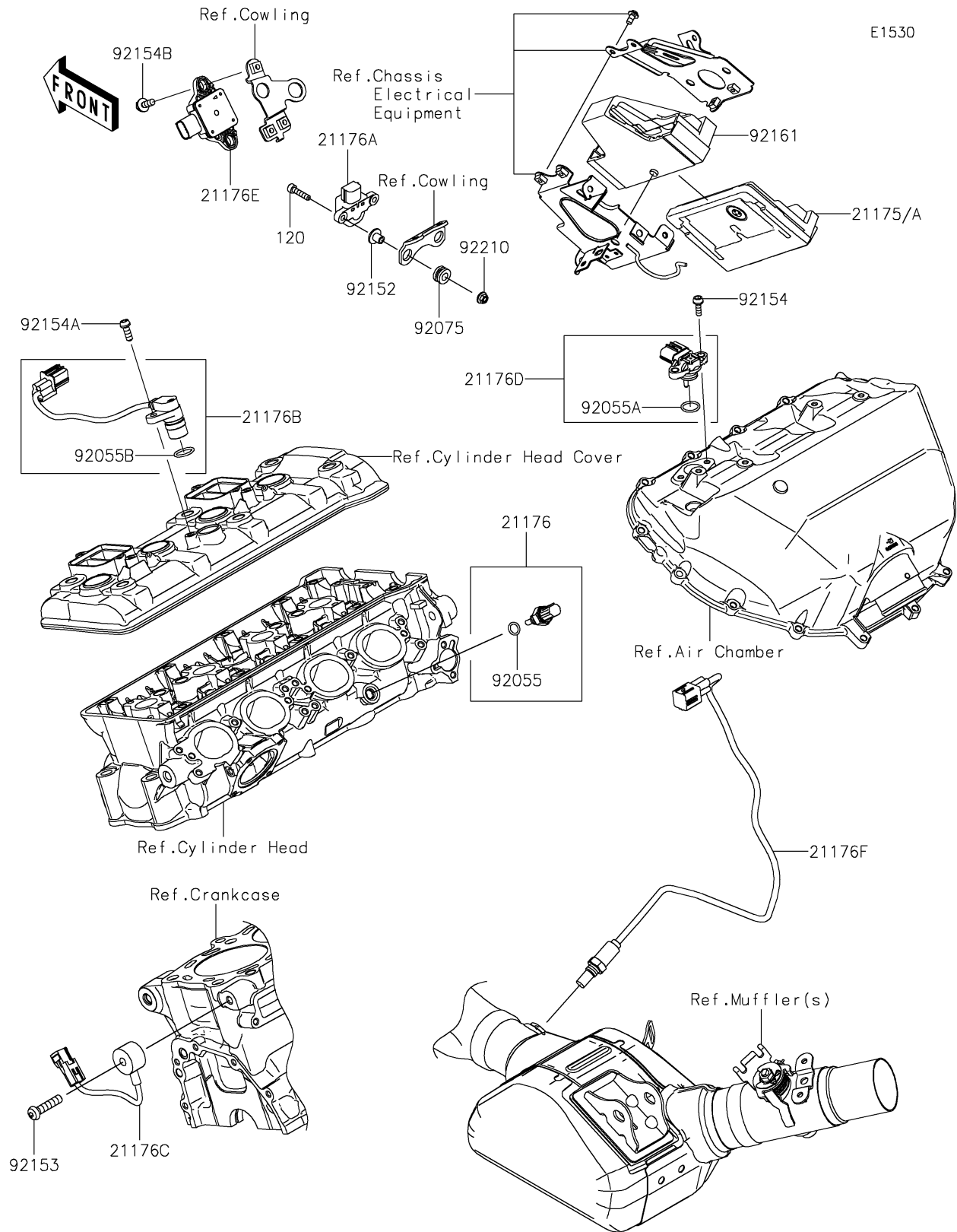


# 2022 NINJA H2<sup>®</sup>

## PARTS DIAGRAM

### Fuel Injection



# 2022 NINJA H2®

## PARTS LIST

### Fuel Injection

| ITEM NAME                                  | PART NUMBER | QUANTITY |
|--|-------------|----------|
| CONTROL UNIT-ELECTRONIC (Ref # 21175)      | 21175-1457  | 1        |
| CONTROL UNIT-ELECTRONIC (Ref # 21175A)     | 21175-1458  | 1        |
| SENSOR,WATER TEMP (Ref # 21176)            | 21176-0009  | 1        |
| SENSOR,VEHICLE-DOWN (Ref # 21176A)         | 21176-0026  | 1        |
| SENSOR,CAM (Ref # 21176B)                  | 21176-0101  | 1        |
| SENSOR,KNOCK (Ref # 21176C)                | 21176-0788  | 1        |
| SENSOR,INTAKE TEMP&PRESSURE (Ref # 21176D) | 21176-0791  | 1        |
| SENSOR,INERTIAL (Ref # 21176E)             | 21176-0878  | 1        |
| SENSOR,OXYGEN (Ref # 21176F)               | 21176-0933  | 1        |
| RING-O,9.5X1.9 (Ref # 92055)               | 92055-0016  | 1        |
| RING-O (Ref # 92055A)                      | 92055-0842  | 1        |
| RING-O (Ref # 92055B)                      | 92055-1639  | 1        |
| DAMPER (Ref # 92075)                       | 92075-1912  | 2        |
| COLLAR (Ref # 92152)                       | 92152-1969  | 2        |
| BOLT,SOCKET,8X35 (Ref # 92153)             | 92153-0419  | 1        |
| BOLT,SOCKET,5X16 (Ref # 92154)             | 92154-1449  | 2        |
| BOLT,SOCKET,6X16 (Ref # 92154A)            | 92154-1454  | 1        |
| BOLT,FLANGED,6X16 (Ref # 92154B)           | 92154-1851  | 2        |
| DAMPER,ECU (Ref # 92161)                   | 92161-1719  | 1        |
| NUT,FLANGED,5MM (Ref # 92210)              | 92210-0950  | 2        |
| BOLT-SOCKET,5X22 (Ref # 120)               | 120R0522    | 2        |