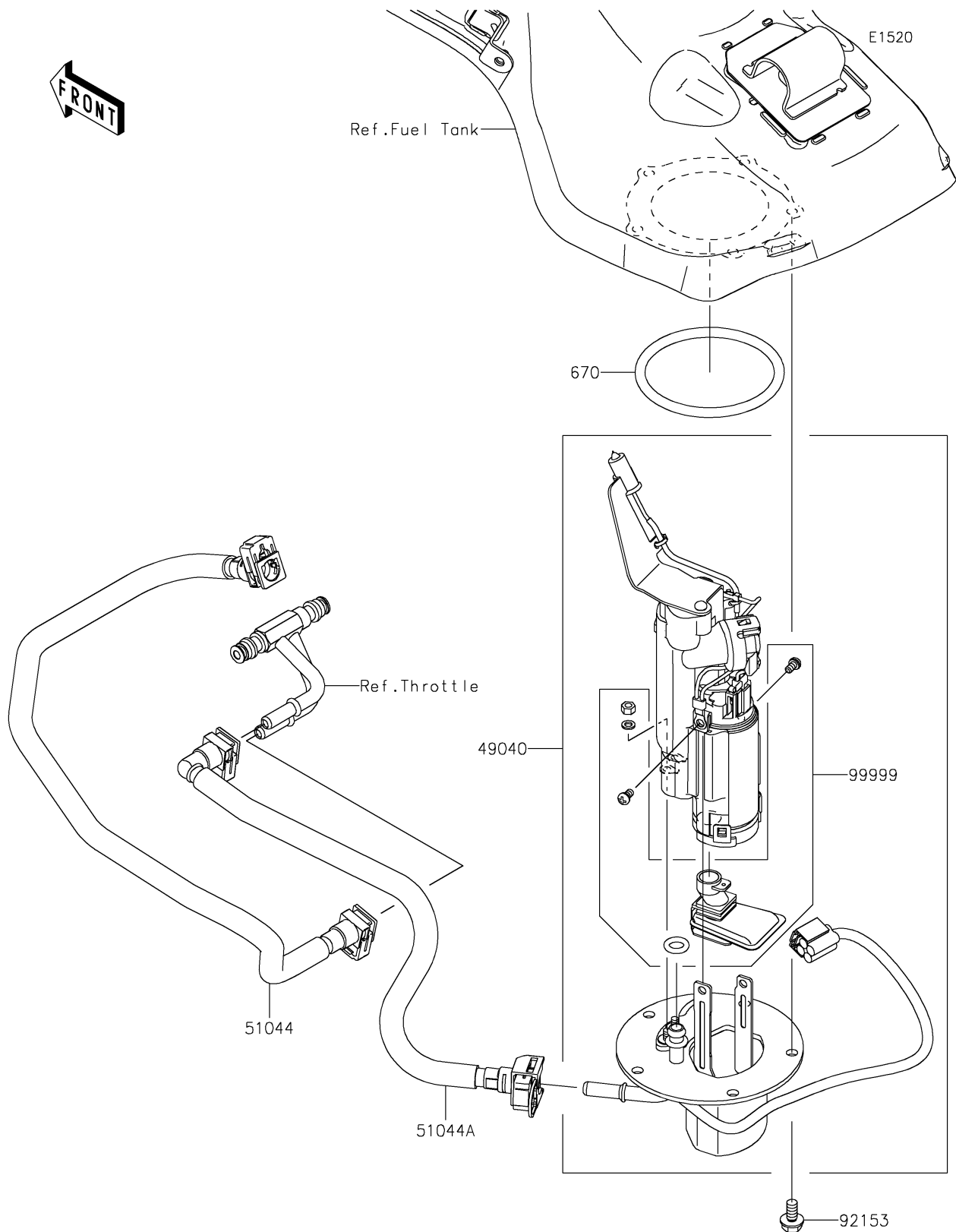


# 2023 Ninja H2<sup>®</sup>

## PARTS DIAGRAM

### Fuel Pump



# 2023 Ninja H2<sup>®</sup>

## PARTS LIST

### Fuel Pump

**ITEM NAME**

**PART NUMBER**

**QUANTITY**

---