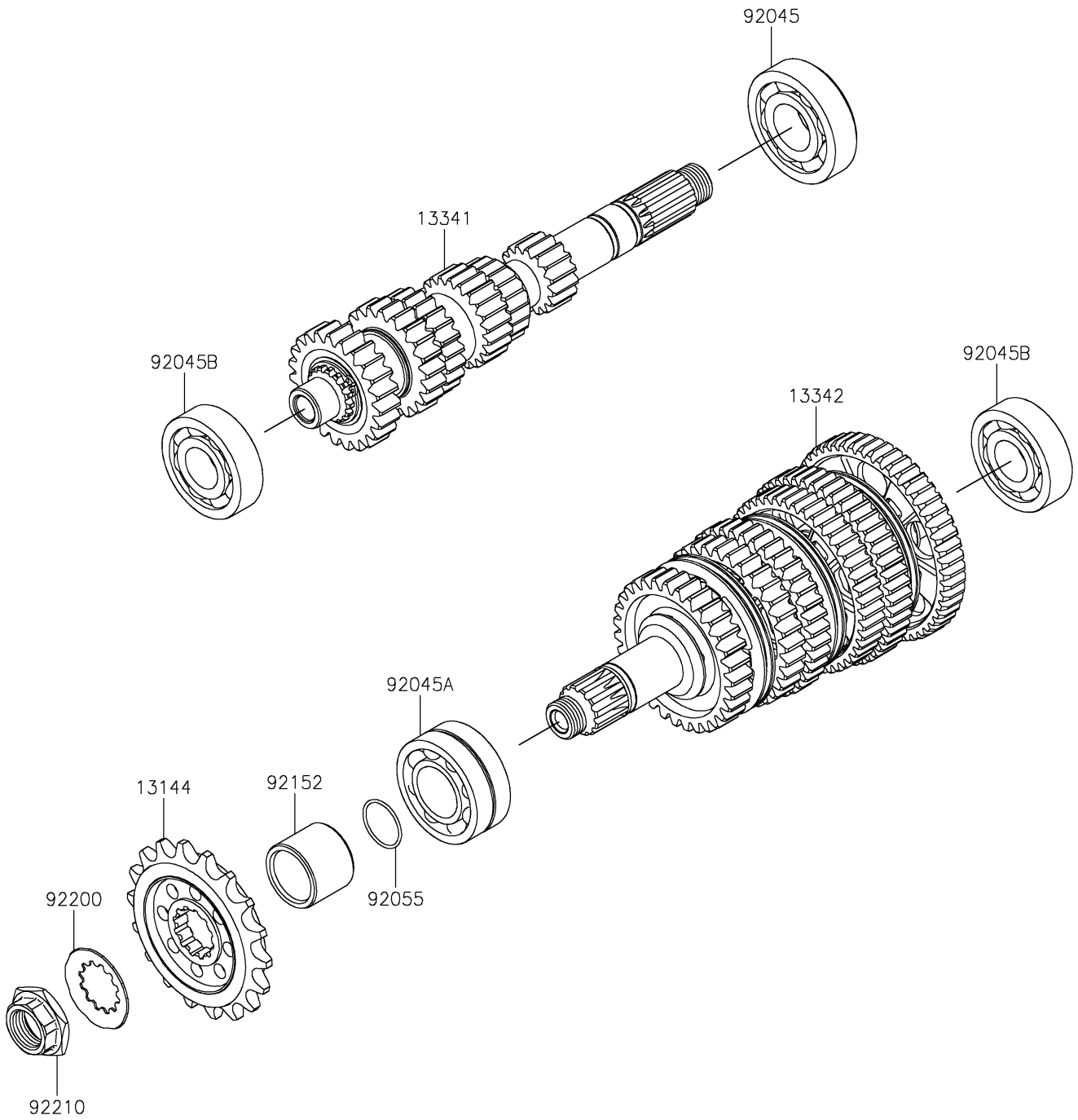


# 2023 Ninja H2®

## PARTS DIAGRAM

### Transmission

E1361



# 2023 Ninja H2®

## PARTS LIST

### Transmission

**ITEM NAME**

**PART NUMBER**

**QUANTITY**

---