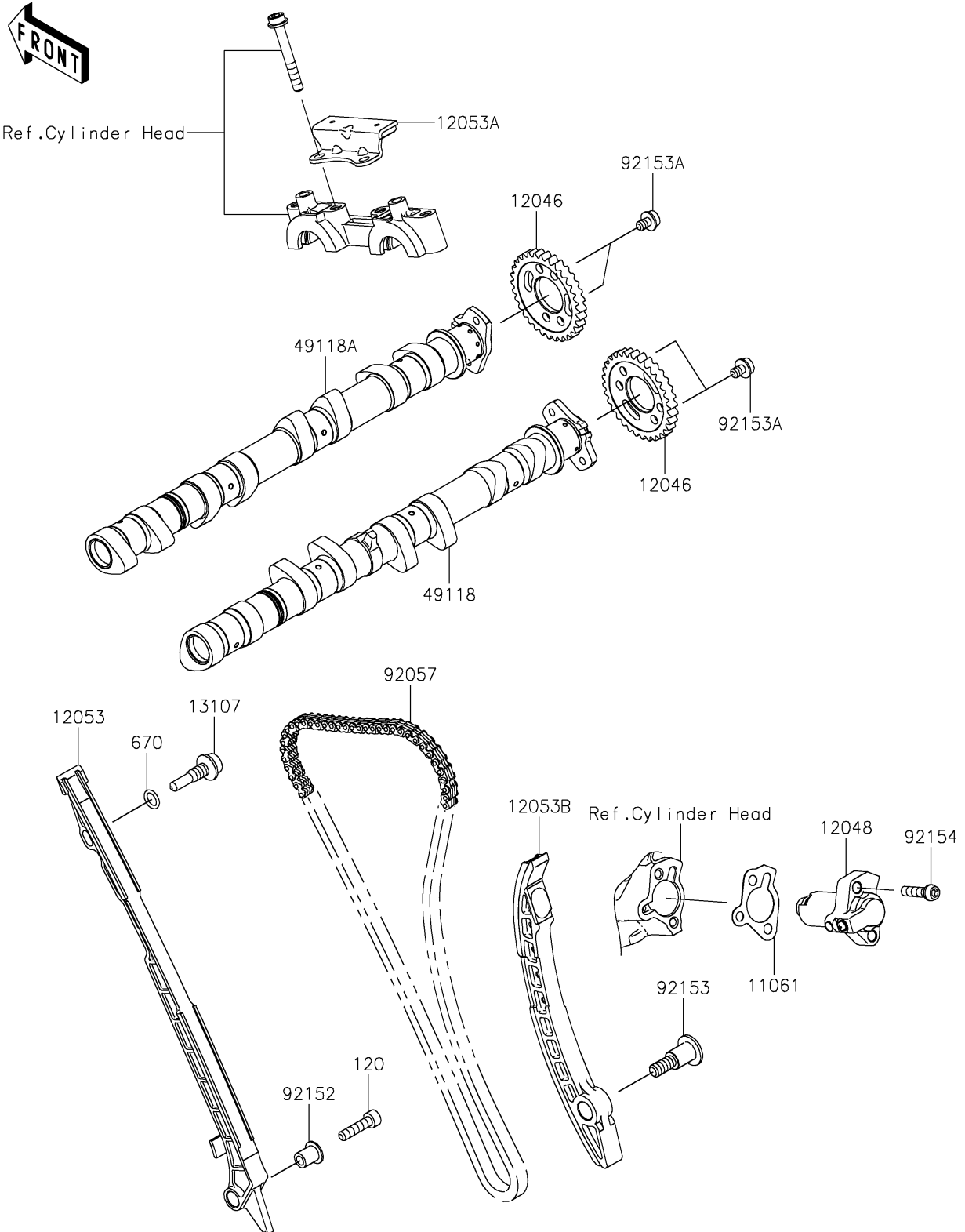


# 2022 NINJA H2<sup>®</sup>

## PARTS DIAGRAM

### Camshaft(s)/Tensioner

E1230



# 2022 NINJA H2<sup>®</sup>

## PARTS LIST

### Camshaft(s)/Tensioner

**ITEM NAME**

**PART NUMBER**

**QUANTITY**

---